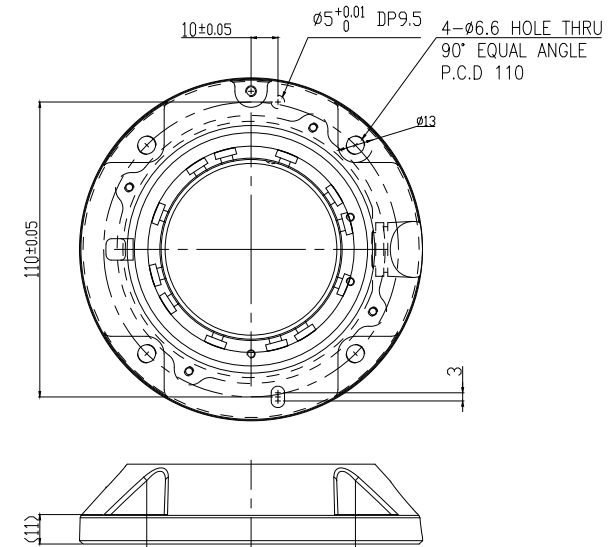


Detail "A" (TOOL FLANGE)
(Scale 1/2)



UNIT : mm

TEL : +82-70-7147-8888 WEB : robot_inquiry@hanwha.com			
TITLE		Body_HCR3_AREA_R1.0_2D	
RELEASED DATE	2019. 03. 27	Rev.	Sheet
DWG NO.	FC34-001237A	0.0	1/2

