

Product Information

Level Indicator NA



- Wall mounting
- No moving parts

Characteristics

Mechanical flow indicator for fluid media: The level is displayed directly in a sight glass.

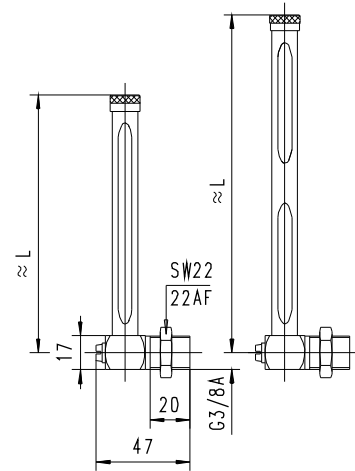
Technical data

Switch	without
Process connection	male thread G 3/8 A, optional G 1/2 A
Density of medium	≥ 0.01 g/cm ³
Pressure resistance	-
Medium temperature	-20..+80 °C
Ambient temperature	-20..+70 °C
Media	water, oils
Electrical data	none
Materials medium-contact	CW614N, natural glass
Non-medium-contact materials	CW614N, natural glass
Weight	see table "Dimensions and weights"
Installation location	vertical installation position

Dimensions and weights

G	Types	L	Number of sight glasses	Weight kg
G 3/8 A	NA-010HM040	40	1	0.09
	NA-010HM060	60		
	NA-010HM080	80		
	NA-010HM100	100		0.10
	NA-010HM125	125		
	NA-010HM150	150		
	NA-010HM200	200		
G 1/2 A	NA-010HM250	250	2	0.15
	NA-010HM300	300		0.16

Length 40..200 Length 250..300



Vent drilling in cover.

Ordering code

NA - 1. 2. 3. 4.

○=Option

1. Connection size	
010	threaded connection G 3/8 A
015 ○	threaded connection G 1/2 A
2. Process connection	
H	screw-in thread
3. Connection material	
M	brass
4. Length	
040	40 mm
060	60 mm
080	80 mm
100	100 mm
125	125 mm
150	150 mm
200	200 mm
250	250 mm
300	300 mm

... professional Instruments "MADE IN GERMANY"