



Standard



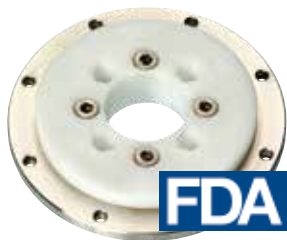
Stainless steel version



Low-cost version



All plastic version



FDA

FDA-compliant

- Slewing rings with extremely light weight
- Outer ring made from anodised aluminium, 316 stainless steel (upon request) or iguton G
- Collar clamps made from iglidur® J4 or FDA-compliant iglidur® A180
- 30% lighter with plastic screws

Order key

Type	Size [mm]	Options
PRT-02-	20	-AL-A180
Slewing ring	Design	Inner Ø
Body material		Collar clamps

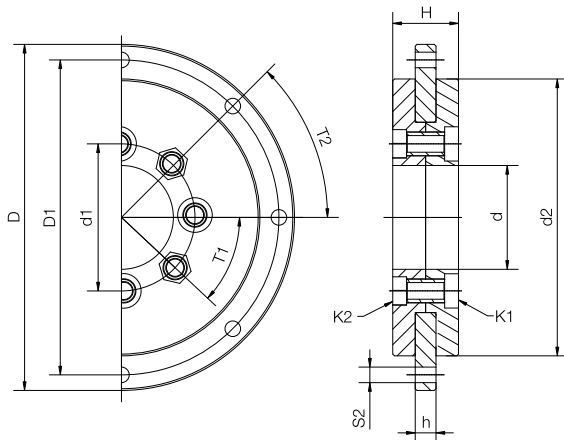
Options:

Body material

- AL: Aluminium
- ES: 316 stainless steel
- LC: Low-cost
- P: Solid plastic

Collar clamps

- Blank: iglidur® J4
- A180: iglidur® A180, FDA-compliant



Dimensions [mm]

D	D1	d1	d	d2	H	h	T1	T2	S2	K1 for screw	K2 for screw nut	Part No.
80	70	31	20	60	16	5	3 x 120°	6 x 60°	4.5	DIN 6912 M5	ISO 4035 M5	PRT-02-20- <input type="text"/>
100	91	42.5	30	80	19	6	4 x 90°	8 x 45°	4.5	DIN 7984 M5	ISO 4035 M5	PRT-02-30- <input type="text"/>
150	135	65	50	120	20	6	16 x 22.5°	8 x 45°	6.6	Through-hole 6.5mm		PRT-02-50- <input type="text"/>
160	145	86.0	60	130	30	10	12 x 30°	20 x 18°	5.5	Counterbore Ø16 and 6.5 deep		PRT-02-60- <input type="text"/>

¹¹⁶⁾ Only available with body made from aluminium and stainless steel

Please add suffix "-A180" for FDA-compliant version

All stainless steel versions upon request