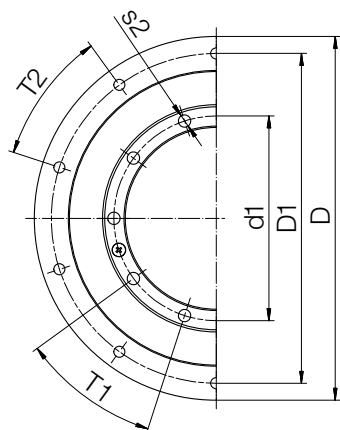
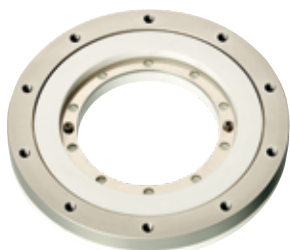


Slewing rings, low-cost – type 03



Order key

Type

Size [mm]

PRT-03-80

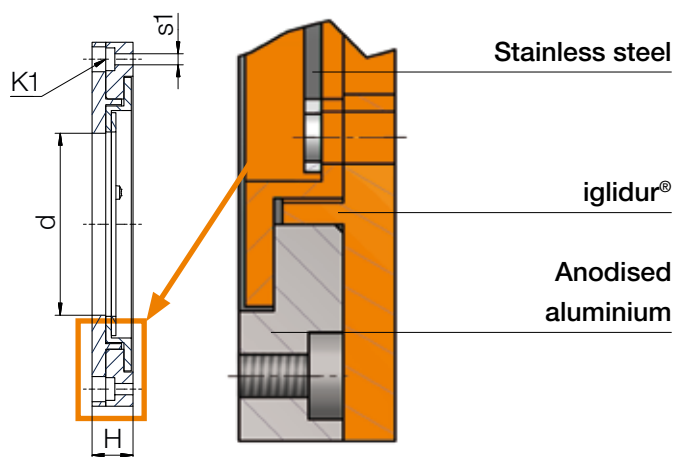
Slewing ring

Design

Inner Ø

iglidur® PRT slewing rings in a low-cost design. Through consistent downsizing, an additional design has been created that relies even more on plastic.

- Maintenance and lubrication-free
- Cost-effective and lightweight
- Reduced space requirement
- Ready-to-fit
- For temperatures from 0 to +60°C



Dimension [mm]

D	D1	d1	d	H	T1	T2	s1	s2	K1	Part No.
160	145	90	80	18	10 x 36°	10 x 36°	M6	5.5	DIN 7984 M6 for screw	PRT-03-80