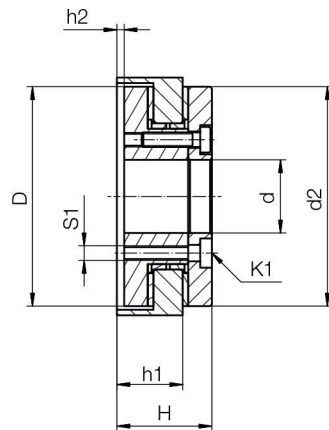
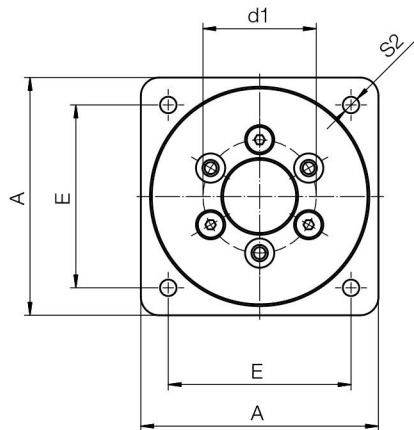


Slewing rings with square flange for direct mounting on flat surfaces



- No through-hole necessary
- No separate spacing ring
- Fix with only 4 screws



Dimensions [mm]

d	d1	d2	D	A	E	H	h1	h2	T1	S1	S2	K1 for screw	Part No.
20	31.0	60	62	65	50	26.0	18	2.0	6 x 60°	M4	4.5	DIN 7984 M4	PRT-01-20-SQ
30	42.5	82	84	85	65	30.5	21	1.5	8 x 45°	M4	4.5	DIN 7984 M4	PRT-01-30-SQ
50	65.0	120	122	125	100	34.5	23	1.5	8 x 45°	M6	6.6	ISO 4762 M6	PRT-01-50-SQ