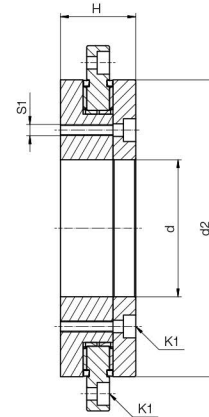
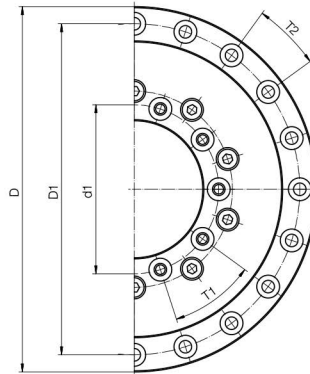


iglidur® PRT | Product range | Special geometries

iglidur®
PRT

Type 01

Slewing rings with seal (-D: one-sided, -DD: both-sided)



Dimensions [mm]

D ¹⁰⁾	D1	d1	d	d2	H	h	T1	T2	S1	S2	K1	R1	R2	B	Part No.
			±0.2								for screw				
160	145	74	60	130	33	10	10 x 36°	20 x 18°	M5	5.5	ISO 4762 M5	65	51.5	4.5	PRT-01-60-D/DD
185	170	112	100	160	34	12	12 x 30°	16 x 22.5°	M5	5.5	ISO 4762 M5	80	69	5.5	PRT-01-100-D/DD

¹⁰⁾ Tolerance according to DIN ISO 2768 mK