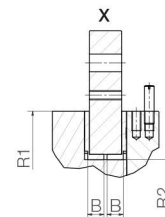
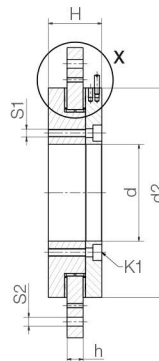
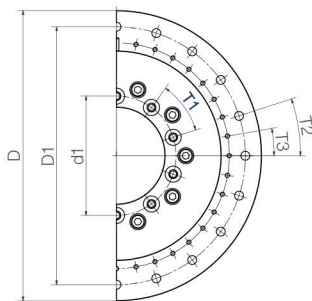
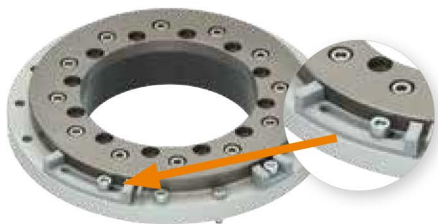


## Slewing rings with angle stop – easily adjustable



- Quick adjustment of the stop
- Load ratings identical to standard type 01

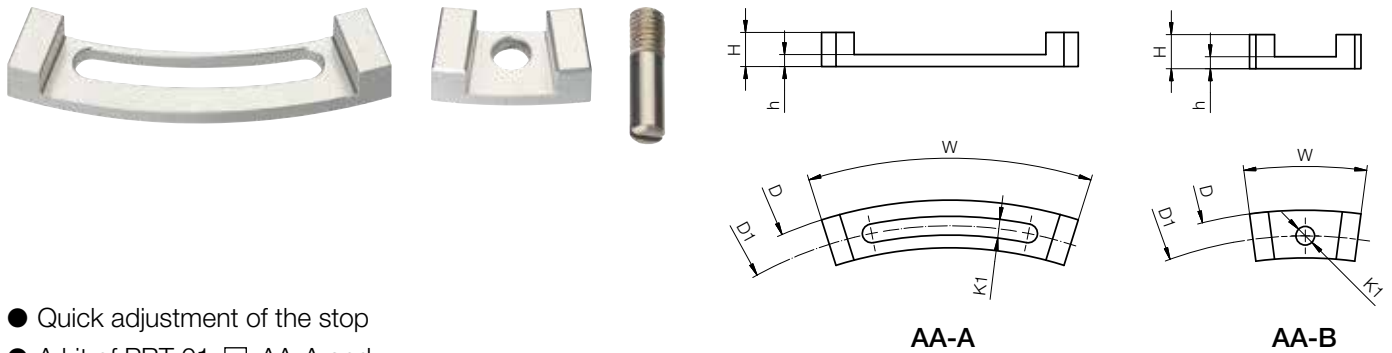
### Dimensions [mm]

D <sup>10)</sup>	D1	d1	d	d2	H	h	T1	T2	S1	S2	K1	R1	R2	B	Part No.
				±0.2							for screw				
80	70	31.0	20	60	24	8	6 x 60°	6 x 60°	M4	4.5	DIN 7984 M4	30	20	3.5	PRT-01-20-AA
100	91	42.5	30	82	29	10	8 x 45°	8 x 45°	M4	4.5	DIN 7984 M4	41	29	4.5	PRT-01-30-AA
150	135	65.0	50	120	33	10	8 x 45°	16 x 22.5°	M6	6.6	ISO 4762 M6	60	46.5	4.5	PRT-01-50-AA
160	145	74.0	60	130	33	10	10 x 36°	20 x 18°	M5	5.5	ISO 4762 M5	65	51.5	4.5	PRT-01-60-AA
185	170	112.0	100	160	34	12	12 x 30°	16 x 22.5°	M5	5.5	ISO 4762 M5	80	69	5.5	PRT-01-100-AA
250	235	165.0	150	220	35	12	12 x 30°	16 x 22.5°	M5	5.5	ISO 4762 M5	110	96.5	5.5	PRT-01-150-AA
300	285	215.0	200	274	38	15	12 x 30°	16 x 22.5°	M6	6.6	ISO 4762 M6	137	124	7.0	PRT-01-200-AA
450	430	320.0	300	410	42	15	12 x 30°	16 x 22.5°	M8	9.0	DIN 7984 M8	205	186.6	7.0	PRT-01-300-AA

<sup>10)</sup> Tolerance according to DIN ISO 2768 mK

Type 01

Angle limit kit



- Quick adjustment of the stop
- A kit of PRT-01-□-AA-A and PRT-01-□-AA-B

Dimensions [mm]

D Ø	D1 Ø	H	h	K1 Ø	W [°]	Part No.	Part No. kit
80	70	6.5	2.8	4.5	90.0	PRT-01-20-AA-A	PRT-01-20-AA-KIT
80	70	6.5	2.8	4.5	30.0	PRT-01-20-AA-B	
100	91	8.0	2.8	4.5	70.0	PRT-01-30-AA-A	PRT-01-30-AA-KIT
100	91	8.0	2.8	4.5	25.0	PRT-01-30-AA-B	
150	135	10.0	4.0	6.6	45.0	PRT-01-50-AA-A	PRT-01-50-AA-KIT
150	135	10.0	4.0	6.6	25.0	PRT-01-50-AA-B	
160	145	10.0	3.5	5.5	35.0	PRT-01-60-AA-A	PRT-01-60-AA-KIT
160	145	10.0	3.5	5.5	20.0	PRT-01-60-AA-B	
185	170	9.5	3.5	5.5	37.5	PRT-01-100-AA-A	PRT-01-100-AA-KIT
185	170	9.5	3.5	5.5	15.0	PRT-01-100-AA-B	
250	235	10.0	3.5	5.5	35.0	PRT-01-150-AA-A	PRT-01-150-AA-KIT
250	235	10.0	3.5	5.5	15.0	PRT-01-150-AA-B	
300	285	10.0	4.0	6.6	35.0	PRT-01-200-AA-A	PRT-01-200-AA-KIT
300	285	10.0	4.0	6.6	15.0	PRT-01-200-AA-B	
450	430	12.0	5.0	6.6	35.0	PRT-01-300-AA-A	PRT-01-300-AA-KIT
450	430	12.0	5.0	6.6	15.0	PRT-01-300-AA-B	

Slewing rings for manual adjustment **New**



- With hand wheel for easy adjustment
- Optional manual clamp and position indicator available
- Ideal for fast and secure positioning

Dimensions [mm]

ØT	ØS	ØP	ØF	L1	L2	B1	B2	B3	H1	S1	S2	G1	G2	Part No.
30	10	82	42.5	100.5	12	45	19.5	6	110.5	55	20	M4	8 x M4	PRT-01-50 HK-PA-HR