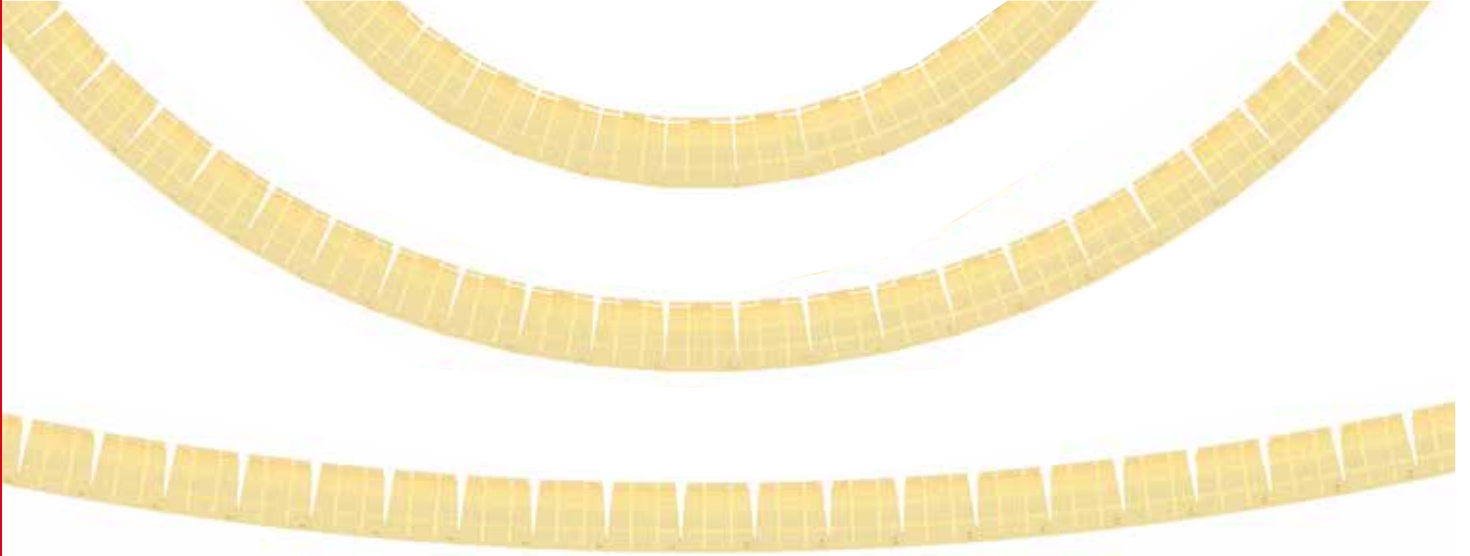


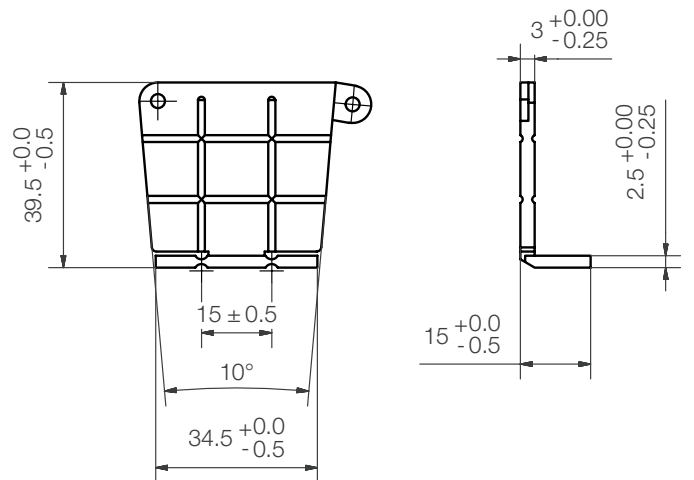
Universal sliding elements

Customise your own slewing ring systems

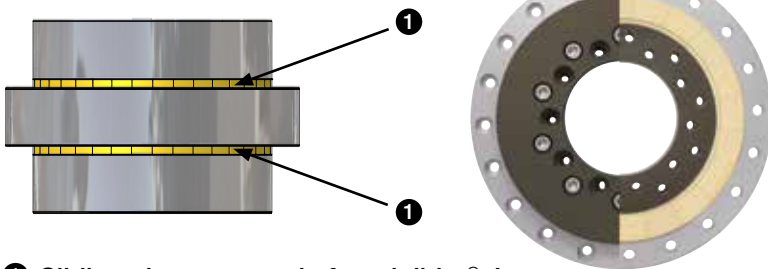
Using the versatile iglidur® PRT universal sliding elements, large slewing ring systems can be tailored to the type 01. Depending on the number of elements, slewing ring systems are possible with inner diameters from 0.5 to 5m. We will happily support you with the design and detailed layout.



- Made from the proven iglidur® J ► **Page 159**
- Slewing ring systems possible from 0.5 up to 5m
- Low wear
- Robust, resistant to dirt
- Corrosion-free and resistant to liquids
- Lubrication and maintenance-free



Basic structure of type 01:



- ❶ Sliding elements made from iglidur® J



Part No.
JRS-500S/45S