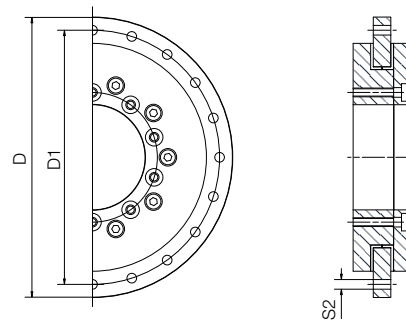


Type 01

Slewing rings with enlarged outer ring

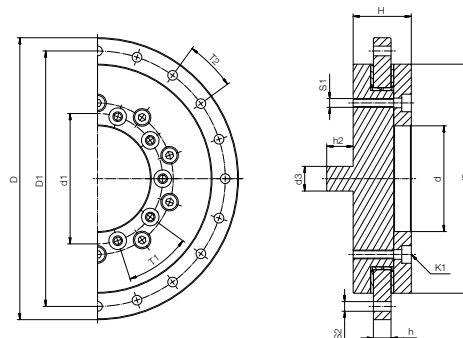


Dimensions [mm] – other dimensions similar to standard type PRT-01 ► Page 638

D	D1	S2	Part No. <sup>11)</sup>
205	185	5.5	PRT-01-100-M-ARG
205	185	M6	PRT-01-100-M-ARGG
205	185	5.5	PRT-01-100-M-ARGS
320	300	7.0	PRT-01-200-M-ARG
320	300	M8	PRT-01-200-M-ARGG
320	300	7.0	PRT-01-200-M-ARGS

<sup>11)</sup> Ending: -G standard hole, -GG threaded hole or -GS counterbore

PRT with assembled drive pin



Dimensions [mm]

D	D1	d1	d	d2	d2- tolerance	H	h	T1	T2	S1	S2	K1	R1	R2	B	h2	Part No.
160	145	74	60	130	±0,2	33	10	10 x 36°	20 x 18°	M5	5,5	M5	65	51,5	4,5	15	PRT-01-60-DP