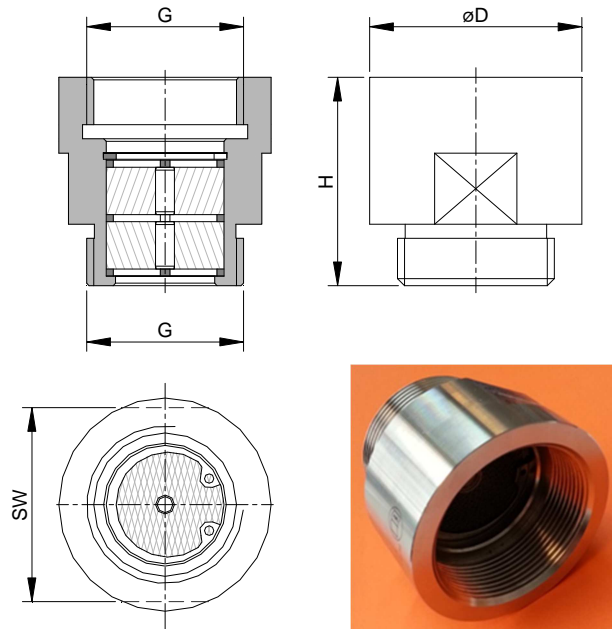
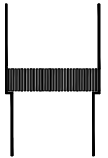


Bi-directional in-line deflagration flame arrester
KITO® FS-Def0-IIB3..."-1.2



Type examination certificate to EN ISO 16852

CE designation in accordance to ATEX-Guideline 2014/34/EU

thread	D	H	SW
G 1/2"	30	44	24
G 3/4"	35	46	30
G 1"	45	44	41
G 1 1/4"	55	65	55
G 1 1/2"	60	65	55
G2"	75	65	70

Subject to changes

performance curves: H 0.45.1 N

Standard design

housing : stainless steel 1.4571
 KITO® grid : stainless steel 1.4571
 lock ring : stainless steel
 connections : thread inside and outside

Application

Installation into pipelines as inline deflagration flame arrester e. g. for the protection of ignition gas lines of gas consumption devices (flare of biogas plants). Applicable for all materials of the explosion groups IIA1 up to IIB3 with a Maximum Experimental Safe Gap (MESG) ≥ 0,65 mm.
 Operating from both sides, for a maximum operating pressure of 1.2 bar abs. and a maximum operating temperature of 60°C.
 The distance between the ignition source and the armature may not be larger than 50 x the inside pipe diameter.

Example for orders:

KITO® FS-Def0-IIB3-1"-1.2



Bi-directional in-line deflagration flame arrester

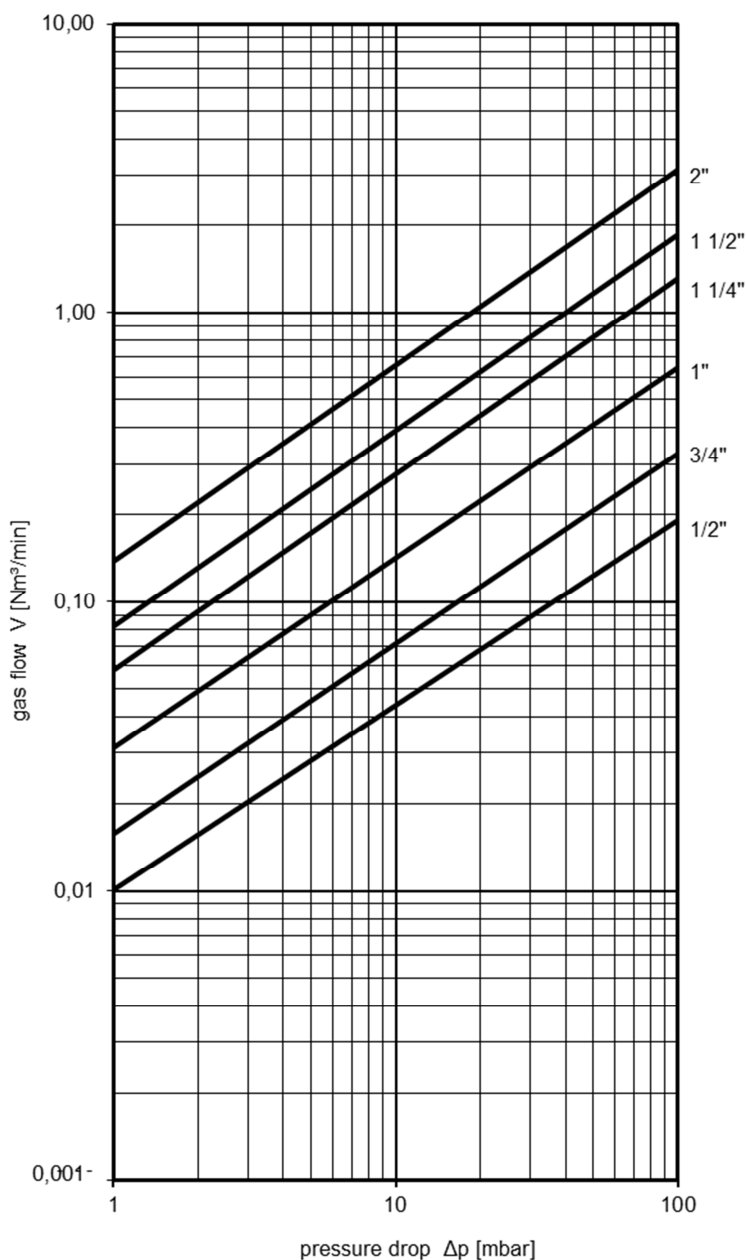
KITO® FS-Def0-IIB3-..."-1.2

H 45.1 N

The volume flow V refers to the air density with $\rho = 1.29 \text{ kg/m}^3$ at $T = 273 \text{ K}$ and a pressure of $p = 1.013 \text{ mbar}$.

For materials of other densities, the gas flow can enough exactly be determined by an approximation equation:

$$\dot{V} = \dot{V}_b \cdot \sqrt{\frac{\rho_b}{1,29}} \quad \text{or} \quad \dot{V}_b = \dot{V} \cdot \sqrt{\frac{1,29}{\rho_b}}$$



Subject to changes