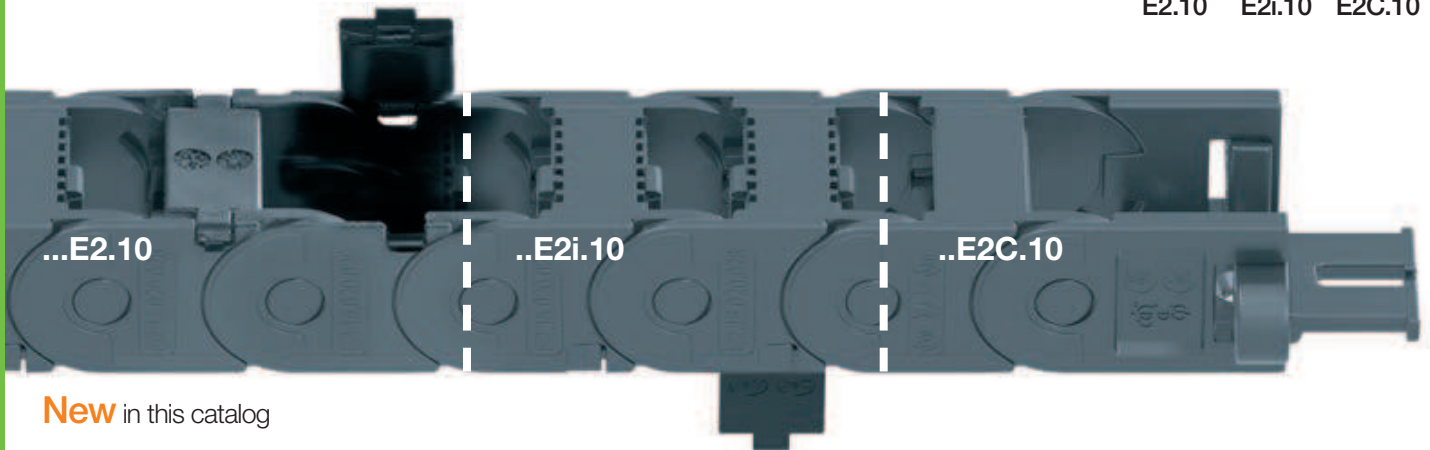




Next generation, stable, low noise, fast opening

E2.10 E2i.10 E2C.10



New in this catalog

Series E2.10 | Snap-open along outer radius from both sides | Standard

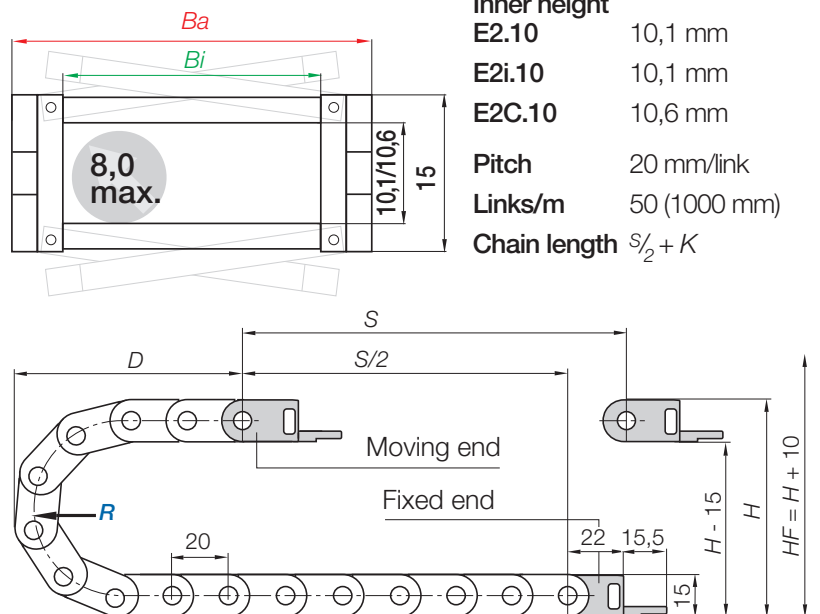
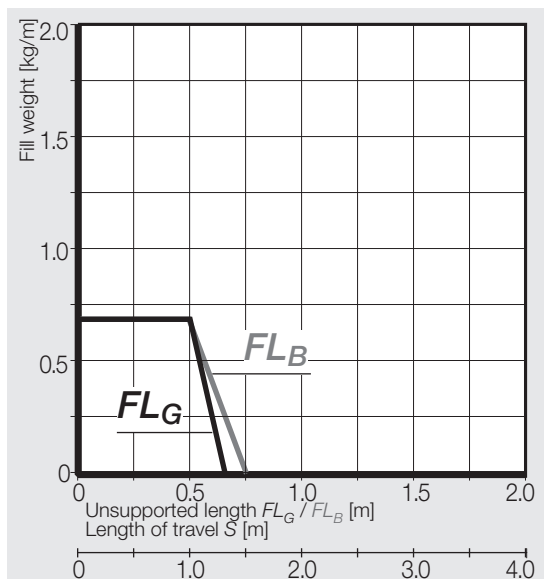
Series E2i.10 | Snap-open along inner radius from both sides

Series E2C.10 | One-piece, non snap-open e-chain®

Snap-open along outer radius	Snap-open along inner radius	One-piece, non snap-open		<i>Bi</i> [mm]	<i>Ba</i> [mm]	<i>R</i> Bending radii [mm]	E2.10 [kg/m]	E2i.10 [kg/m]	E2C.10 [kg/m]
E2.10.	E2i.10.	E2C.10.	06 . <i>R</i> .0	6	13,4	018 028 038	≈ 0,13	≈ 0,13	≈ 0,14
E2.10.	E2i.10.	E2C.10.	10 . <i>R</i> .0	10	17,4	018 028 038	≈ 0,14	≈ 0,14	≈ 0,14
E2.10.	E2i.10.	E2C.10.	16 . <i>R</i> .0	16	23,4	018 028 038	≈ 0,16	≈ 0,16	≈ 0,16
E2.10.	E2i.10.	E2C.10.	20 . <i>R</i> .0	20	27,4	018 028 038	≈ 0,17	≈ 0,17	≈ 0,17
E2.10.	E2i.10.	E2C.10.	30 . <i>R</i> .0	30	37,4	018 028 038	≈ 0,19	≈ 0,19	≈ 0,20
E2.10.	E2i.10.	E2C.10.	40 . <i>R</i> .0	40	47,4	018 028 038	≈ 0,22	≈ 0,22	≈ 0,23
E2.10.	E2i.10.	E2C.10.	50 . <i>R</i> .0	50	57,4	018 028 038	≈ 0,25	≈ 0,25	≈ 0,25

Supplement Part No. with required radius (*R*). Example: **E2.10.20.038.0**

Dimensions

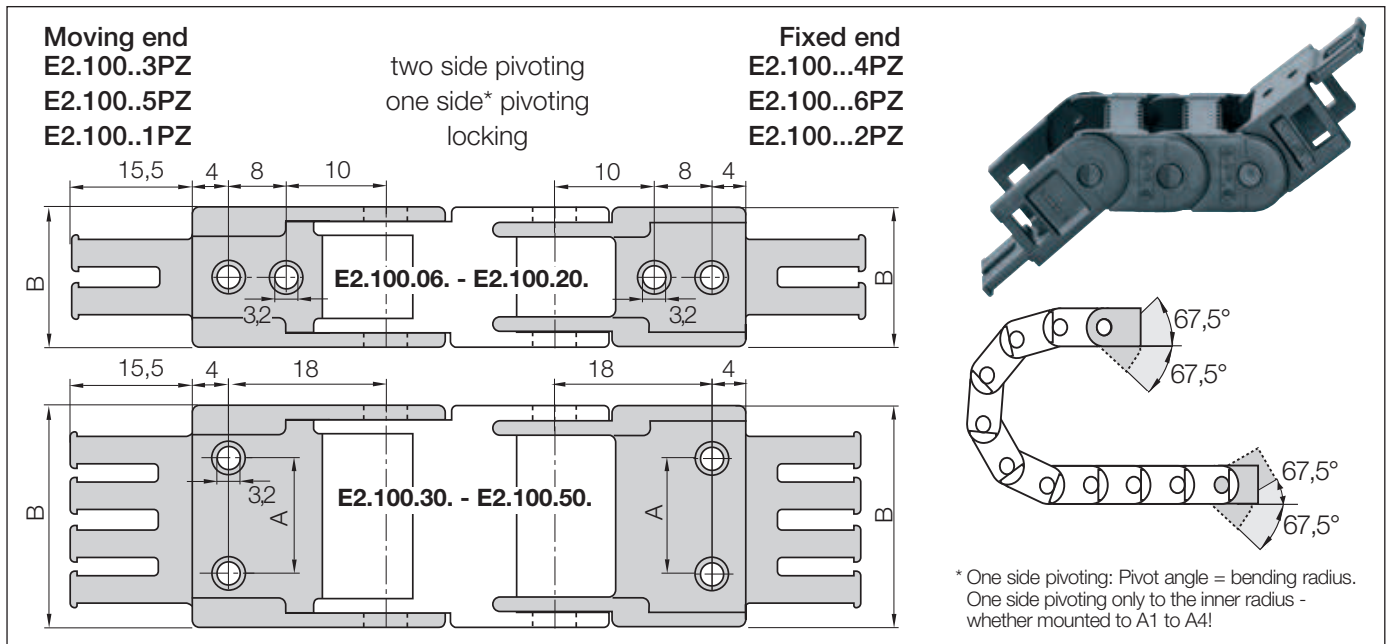


Inner height	
E2.10	10,1 mm
E2i.10	10,1 mm
E2C.10	10,6 mm
Pitch	20 mm/link
Links/m	50 (1000 mm)
Chain length	$\frac{S}{2} + K$

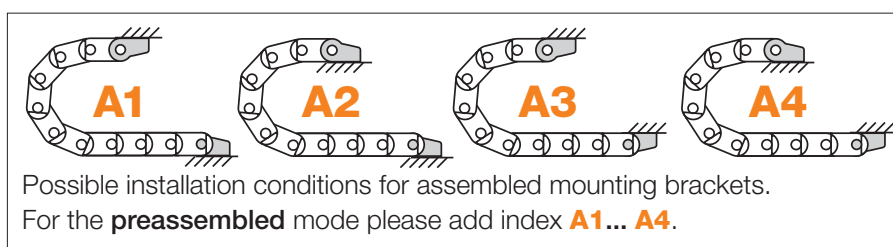
<i>R</i>	018	028	038
<i>H</i>	51	71	91
<i>D</i>	56	66	76
<i>K</i>	100	130	160

The required clearance height: $H_F = H + 10$ mm (with 0,2 kg/m fill weight)

Mounting brackets, polymer one-piece | one side* or two side pivoting | locking



Width Index	Part No. full set with tiewrap plates two side pivoting	Part No. full set with tiewrap plates one side* pivoting	Part No. full set with tiewrap plates locking	Dim. A [mm]	Dim. B [mm]	Number of teeth
06. ▶	E2.100.06.34PZ	E2.100.06.56PZ	E2.100.06.12PZ	-	13,4	1
10. ▶	E2.100.10.34PZ	E2.100.10.56PZ	E2.100.10.12PZ	-	17,4	1
16. ▶	E2.100.16.34PZ	E2.100.16.56PZ	E2.100.16.12PZ	-	23,4	2
20. ▶	E2.100.20.34PZ	E2.100.20.56PZ	E2.100.20.12PZ	-	27,4	2
30. ▶	E2.100.30.34PZ	E2.100.30.56PZ	E2.100.30.12PZ	22	37,4	3
40. ▶	E2.100.40.34PZ	E2.100.40.56PZ	E2.100.40.12PZ	32	47,4	4
50. ▶	E2.100.50.34PZ	E2.100.50.56PZ	E2.100.50.12PZ	42	57,4	5



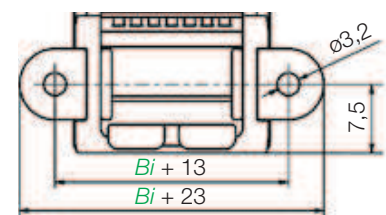
Part No. structure

E2.100.20.34PZA1 A... must be indicated on preassembled configurations
With strain relief tiewrap plates
Full set
Mounting bracket for selected width index

Additional Features

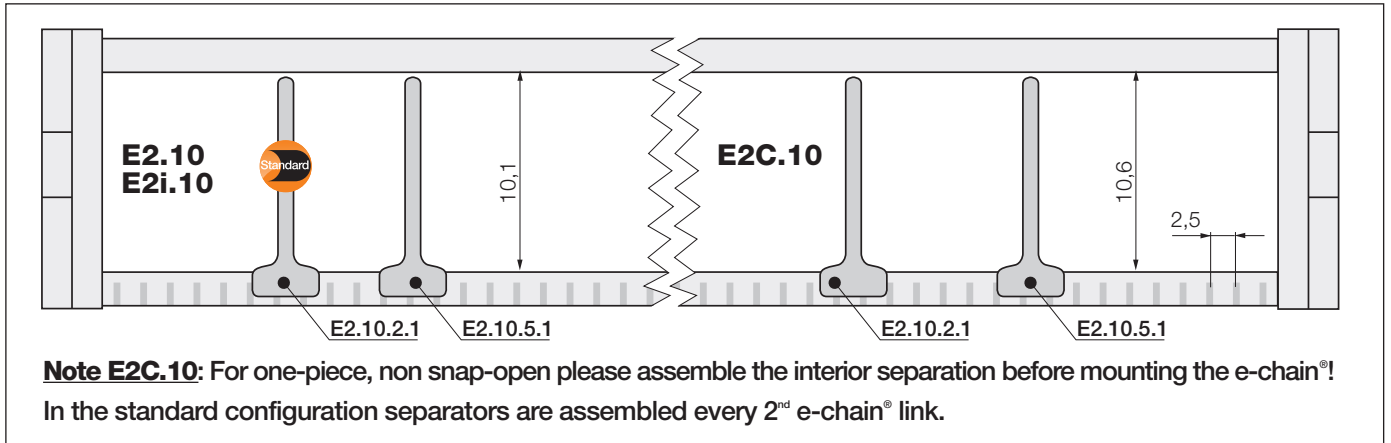



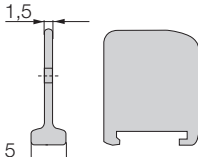

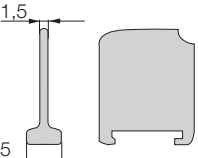
The quick flange can be clipped-in laterally in all mounting brackets.
Housing for hexagonal nut or cylinder head screws M3. **Single:**
Part No. E2.150.QF / incl. mounting bracket Part No. E2.100.20.34PZQF



E2 micro | Series E2.10 | Accessories

Interior separation | New generation



		<p>Standard separator, for e-chains® unassembled E2.10.2 assembled E2.10.2.1</p>
		<p>Notch separator for notch crossbar unassembled E2.10.5 assembled E2.10.5.1</p>

Standard - for all applications

For a simple vertical subdivision on e-chains®. Separators can be arranged anywhere in the e-chain® cross section. No snap-in option, freely movable.

Locks safely onto in 2,5 mm increments

For exact positioning in e-chains®. Recommended for side-mounted applications. Abrasion-optimized, cable-friendly design of the separator.

E2 micro | Series E2.10 | Accessories

Assembly tools | Save assembly time

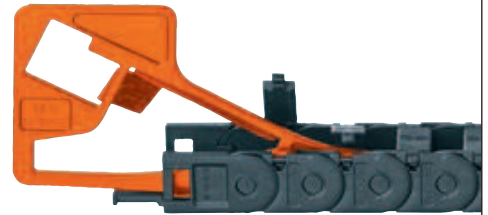
Save assembly time - Interior separation assembly tool for the E2 micro "next generation"

● Convenient insertion of separators and shelves ● Significant assembly time reduction ● Grip and mount can be ordered separately and are easy to change
More information ► www.igus.eu/E2.1open

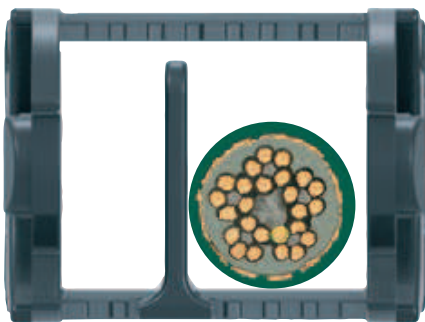


e-chain® opener for the E2 micro "next generation"

An e-chain® opener is included with every Series E2.10 and E2.15 that can be opened. The opening of the e-chain® links at high speeds saves significant installation time. Open a long piece of e-chain® in one go. It's the ideal tool for your own mounting or assembly lines to minimize processing time significantly.
More information ► www.igus.eu/E2.1open



Up to 75% less wear - Increase the service life of cables even further



igus® separators optimally adapted to cable geometry.
They increase the service life of the cables up to factor 4.

- Abrasion-optimized, cable-friendly design, long service life
- Mounting-optimized - a simpler and faster assembly
- Easy-to-use interior separation range for all applications
- Standard separator - no snap-in option, freely movable
- Notch separator - locks safely onto in 2,5 mm increments
- Partial horizontal subdivision is possible - Series E2.15