

Product Information

Flow Switch RVM



- Monitoring of small flows
- PN 300 / 350

Characteristics

Mechanical flow switch, for fluid media, with magnetic triggering of a reed switch. Robust construction in brass or stainless steel.

Technical data

| | | |
|------------------------------|---|---|
| Switch | reed switch | |
| Nominal width | DN 8 | |
| Process connection | female thread G 1/4 | |
| Switching range | 0.04..3 l/min | for details see table "Ranges" |
| Q _{max.} | to 3.6 /min | |
| Tolerance | ±10 % of full scale value | |
| Pressure resistance | brass construction | PN 300 bar |
| | stainless steel construction | PN 350 bar |
| Media temperature | -20..+100 °C optionally 160 °C | |
| Ambient temperature | -20..+70 °C | |
| Media | water (gas and aggressive media available on request) | |
| Wiring | normally open (n.o.) no. 0.372 | |
| | changeover no. 0.282 | |
| Switching voltage | max. 200 V AC | |
| Switching current | max. 1 A | |
| Switching capacity | max. 20 VA | |
| Protection class | 2 - safety insulation | |
| Ingress protection | IP 65 | |
| Electrical connection | DIN 43650-C plug | |
| Materials medium-contact | Brass construction: CW614N nickelled, CW614N, 1.4571, hard ferrite | Stainless steel construction: 1.4571, hard ferrite |
| Non-medium-contact materials | switching head PBT, PA, NBR, brass nickelled, stainless steel | |

| | |
|-----------------------|--|
| Weight | see table "Dimensions and weights" |
| Installation location | Standard: horizontal inwards flow; other installation positions are possible; the installation position affects the switching point and range. |

Ranges

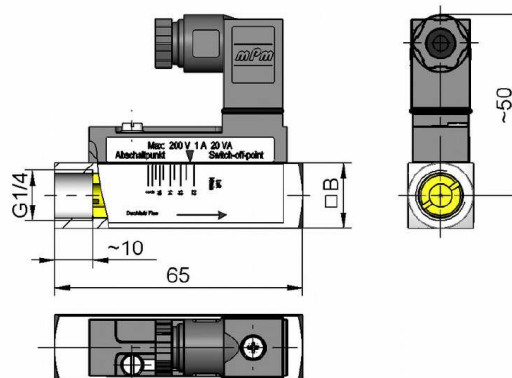
Details in the table correspond to horizontal inwards flow with decreasing flow rate.

| Switching range H ₂ O | Types | Q _{max.} recommended |
|----------------------------------|--------------|-------------------------------|
| 40.0 - 130.0 ml/min | RVM-008G.013 | 0.168 l/min |
| 0.1 - 0.6 l/min | RVM-008G.060 | 0.720 l/min |
| 0.5 - 3.0 l/min | RVM-008G.300 | 3.600 l/min |

Special ranges are available

Dimensions and weights

| Construction | Type | B | Weight kg |
|-----------------|--------------|----|-----------|
| Brass | RVM-008GM... | 17 | 0.14 |
| Stainless steel | RVM-008GK... | 18 | 0.15 |



... professional Instruments "MADE IN GERMANY"

Product Information

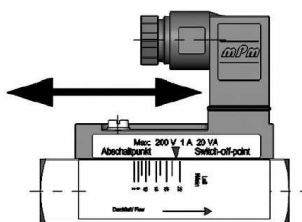
Handling and operation

Note

- Include straight calming section of 5 x DN in inlet and outlet.
- If the media are dirty, install a filter (use magnetic filter for ferritic components).
- It must be ensured that the values given for voltage, current, and power are not exceeded.
- When switch on, a load must be connected in series.
- The electrical details apply to ohmic loads. Capacitive, inductive and lamp loads must be operated using a protective circuit.

Adjustment

Loosen screw slightly, push the switching head into the desired position, and then retighten the screw.



Ordering code

RVM -

| | | |
|--|-----|---------------------|
| 1. Nominal width | 008 | DN 8 - G 1/4 |
| 2. Process connection | G | female thread |
| 3. Connection material | M | brass |
| | K | stainless steel |
| 4. Switching range H₂O for horizontal inwards flow | 013 | 40.0 - 130.0 ml/min |
| | 060 | 0.1 - 0.6 l/min |
| | 300 | 0.5 - 3.0 l/min |

Options

- Switching values for oil or gas
- Special values
- Switch contact as changeover

Ordering information

- Specify direction of flow, medium, and switching range.
- For gases, state pressure (relative or absolute), temperature and medium (e.g. air) (request switching range).

... professional Instruments "MADE IN GERMANY"