

**GENERAL CHARACTERISTICS**

T-fittings to the direct installation in piping with G female thread in the materials brass or stainless steel.

female thread G3/8 to G2 brass/stainless steel

Combination with the following flowmeters

paddle UM3/UR1/UR2/UR3  
calorimetric EFK... / Flex-F / omni-F



**TECHNICAL DATA**

pressure PN25

**MATERIALS**

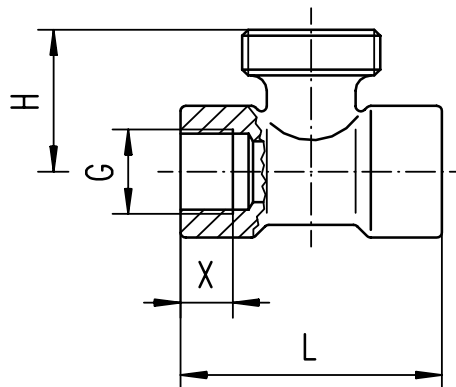
**TS-.M...**

Ms58 nickel plated

**TS-.K...**

stainless steel 1.4305

Type	H mm	L mm	X mm
TS-..010	28	50	10
TS-..015	28	50	10
TS-..020	29	50	12
TS-..025	33	50	12
TS-..032	37	50	12
TS-..040	40	50	12
TS-..050	47	50	12



**NOMENCLATURE**

TS-	1	M	010	basic type specification
TS-				● T-T-fittings
	1			● for paddle switch (UM/UR)
	2			● for calorimetric system liquid media
	3			● for calorimetric system gaseous media (additional plastic)
		M		● brass
		K		● stainless steel 1.4305
			010	● for nominal diameter DN 10 - G3/8
			015	● DN 15 - G1/2
			020	● DN 20 - G3/4
			025	● DN 25 - G1
			032	● DN 32 - G1 1/4
			040	● DN 40 - G1 1/2
			050	● DN 50 - G2

All technical changes reserved

●BASIC Standard ○BASIC Programme option □VARIO Special option ⊕ PLUS Accessories ✗not recommendable