

## Flow Limiting

BA, BB,  
BC



## OVERVIEW

### Operation

- Mechanical flow limiter

### Application

- Water treatment
- Irrigation
- Sanitary installations

### Features

- Universal orientation
- High reliability
- No power supply required
- Suitable for hot water
- Threaded connection

### Installation information

- The operating instructions for BA, BB, BC must be observed!
- **Download: [www.meister-flow.com](http://www.meister-flow.com)**

## OPERATING DATA

<b>Control pressure</b>	2 - 10 bar
<b>Operating pressure, max.</b>	10 bar
<b>Temperature, max.</b>	200 °C
<b>Measuring accuracy</b>	up to 2 l/min ± 15 % of nominal value
	at 3 l/min and higher ± 10 % of nominal value

## FLOW

Type	Flow for H <sub>2</sub> O at 20 °C	
	Q <sub>min</sub> l/min	Q <sub>max</sub> l/min
BA [1/2"]	1	30
BA [3/4"]	1	30
BB [1/2"]	1	30
BB [3/4"]	1	30
BC [3/4"]	1	30
BC [1 1/2"]	3	90
BC [2"]	5	150
BC [2 1/2"]	7	210
BC [3"]	9	270

## MATERIALS

### Brass version, wetted parts

Device body:	Brass
Regulating star:	1.4310
Cone:	1.4301
Rivet:	1.4301
Retaining ring:	1.4122

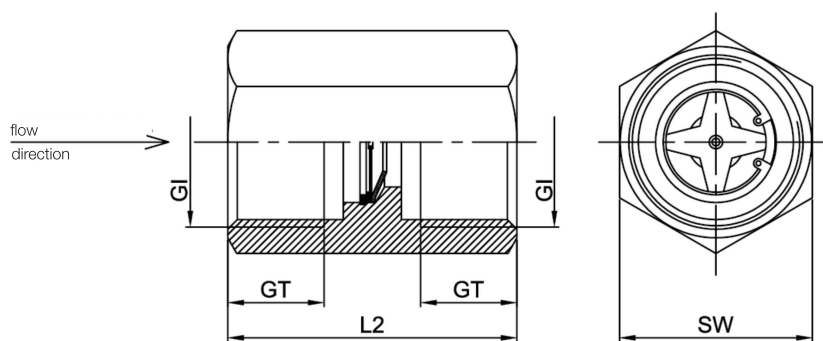
### Stainless steel version, wetted parts

Device body:	1.4305 <sup>(1)</sup>
Regulating star:	1.4310
Cone:	1.4301
Rivet:	1.4301
Retaining ring:	1.4122

<sup>(1)</sup> BC 1.4571

## TECHNICAL DRAWING

BA



## SUMMARY OF TYPES

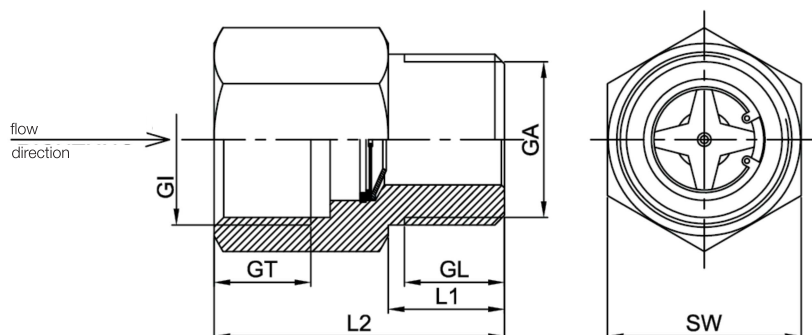
BA

Type	Overall dimensions [mm]				Weight approx. [g]
	GI	GT	SW	L2	
BA [1/2"]	1/2"	14	27	43	72
BA [3/4"]	3/4"	15	30	45	125

Flow: 1 – 30 l/min in 1 l/min increments

## TECHNICAL DRAWING

BB



## SUMMARY OF TYPES

BB

Type	Overall dimensions [mm]							Weight approx. [g]
	GI	GA	GT	GL	SW	L1	L2	
BB [1/2"]	1/2"	1/2"	14	14	27	16	43	104
BB [3/4"]	3/4"	3/4"	15	15,5	30	18	45	135

Flow: 1 – 30 l/min in 1 l/min increments

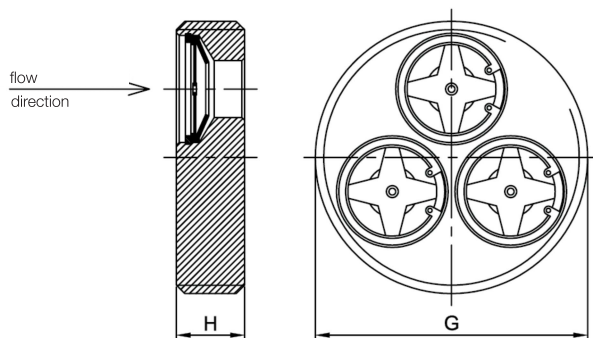
**Dodavatel pro ČR:** o.z. MERES, HENNLICH s.r.o. • Českolipská 9, 412 01 Litoměřice  
meres@hennlich.cz • www.hennlich.cz/meres • tel.: 416 711 203



BA, BB, BC 3 0001 12-15 E M

# TECHNICAL DRAWING

BC



## SUMMARY OF TYPES

BC

Type	Overall dimensions [mm]				Weight approx. [g]
	G	H	Q <sub>min</sub> <sup>(2)</sup>	Q <sub>max</sub> <sup>(2)</sup>	
BC [3/4"]	3/4"	12	1	30	25
BC [1 1/2"]	1 1/2"	12	3	90	104
BC [2"]	2"	15	5	150	190
BC [2 1/2"]	2 1/2"	15	7	210	290
BC [3"]	3"	15	9	270	375

<sup>(2)</sup> from Q<sub>min</sub> to Q<sub>max</sub> in 1 l/min increments