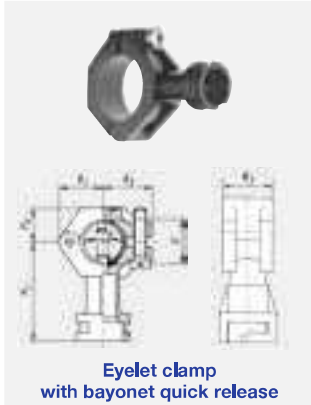




# Accessories

## Bayonet quick release system

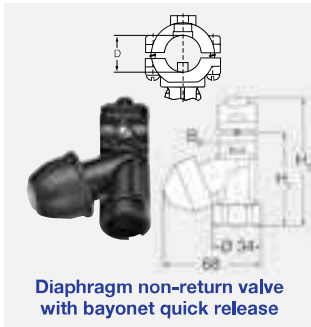


**Eyelet clamp with bayonet quick release**

For series	Ordering no.					Screw (Material)	Pipe Ø	D Ø [mm]	Opening pressure [bar]	Closing pressure [bar]	Dimensions [mm]						Weight		
	Type	Material no.									Code	H <sub>1</sub>	H <sub>2</sub>	B <sub>RO</sub> *	B** <sub>Ø</sub>	B <sub>1</sub>		B <sub>2</sub>	B <sub>3</sub>
		51 Polyamid	53 Polypropylene	5E PVDF	56 POM														
302 Bajonett/ 422 Bajonett/ 226/2TR/468/548/ 646/652/679/684	090.003	○	○	○	-	KA	304 SS	1/2"	20-22,0	-	-	49,5	16,5	6,0	6,2-6,4	21,2	23,8	18,5	22 g
	090.013	○	○	○	-	KA	304 SS	3/4"	25-27,5	-	-	52,5	17,5	7,6	7,8-8,0	24,5	26,5	22,0	26 g
	090.023	○	○	○	-	KA	304 SS	1"	32-34,5	-	-	57,0	21,0	10,6	10,8-11,0	30,0	31,0	22,0	32 g
302 Bajonett/ 422 Bajonett/ 226/2TR/468/548/ 646/652/679/684	065.272	-	-	-	○	KH	304 SS	1/2"	20-22,0	0,8	0,6	59	84	6,0	6,2-6,4	-	-	-	48 g
	065.272	-	-	-	○	KL	304 SS	3/4"	25-27,5	0,8	0,6	66	90	9,6	9,8-10,0	-	-	-	53 g

\*B<sub>RO</sub> Ø = spigot diameter  
\*\*B Ø = recommended bore diameter

**Information:** Please consider the material combination if you use bayonet quick release eyelet clamps in combination with bayonet quick release retainer caps. When different materials are used, the cap may become difficult to turn.

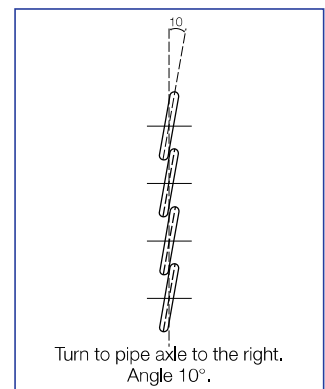


**Diaphragm non-return valve with bayonet quick release**



**Bayonet welding nipple**  
Turn to pipe axle:  
Direction: right, angle: 10°

For series	Ordering no.	Material	Dimensions [mm]	
			L	R
302 Bajonett/ 422 Bajonett/ 226/2TR/468/548/ 646/652/679/684	095.016.50.08.05	PVC	25	16
	095.016.53.08.05	PP	25	16



**Filter with gasket, for bayonet retainer cap 065.202**

For series	Ordering no.		Mesh width [mm]	Colour	Dimensions [mm]				Weight
	Type	Mat. no.			H <sub>1</sub>	H <sub>2</sub>	D <sub>1</sub>	D <sub>2</sub>	
		7J POM/ Santoprene							
xxx.32x-xxx.44x	065.268	○	0,25	blue	21,5	2,5	18,0	11,0	2 g
xxx.48x-xxx.56x	065.269	○	0,65	red	21,5	2,5	18,0	11,0	2 g

**Example**    Type    +    Material no.    +    Code    =    Ordering no.  
for ordering: 090.003    +    51                    +    KA                =    090.003.51.KA



**Bayonet quick-release retainer caps**  
incl. gasket 065.242.73  
(Material: rubber)

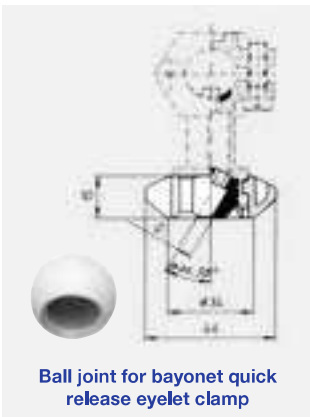


For series	Ordering no.	Material	Colour
652/679	<b>065.202.56.00</b>	POM	red
	<b>065.202.53.00</b>	Polypropylene	grey
	<b>065.202.5E.00</b>	PVDF	blue
226/2TR/468/ 548/684	<b>065.202.56.11</b>	POM	black
	<b>065.202.53.11</b>	Polypropylene	grey

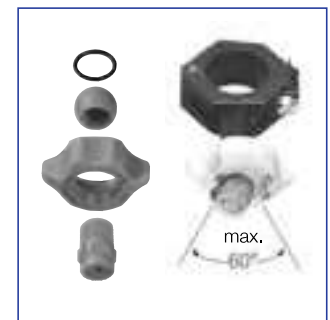
**Information:** Please consider the material combination if you use bayonet quick release eyelet clamps in combination with bayonet quick release retainer caps. When different materials are used, the cap may become difficult to turn.

## Ball joint for bayonet quick release system

**Inexpensive ball joint system for nozzles with 1/8 and 1/4 male thread.**



For series	Ordering no.			Colour
	Type	Mat. no.	Code	
		5E		
	PVDF	1/8 BSPP	1/4 BSPP	
For all nozzles with 1/8" - or 1/4"-male thread.	<b>092.150</b>	○	<b>AB AD</b>	blue



### Pressure/Temperature

T	p <sub>max</sub>
65 °C	10 bar
80 °C	8 bar
100 °C	4 bar



For series	Ordering no.	Material	Colour
For ball joint	<b>092.150.5E.00</b>	PVDF	blue