

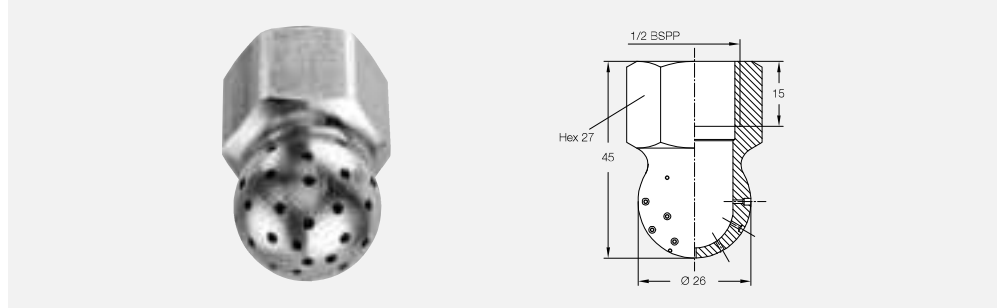



Cluster solid stream nozzle Series 540/541

**Several sharp solid jets.
Also to use with air or saturated steam (see chapter "Air nozzles").**

Applications:

Storage tank cleaning, aerating of bulk goods, recycling of liquids, as well as for accelerating chemical process reactions.



 Spray angle	Ordering no.		E Ø [mm]	Ṃ [l/min]			
	Type	Mat no.		p [bar]			
		16		0.5	2	5	40 psi [US gal./min]
approx. 240°	540.909	○	0.8	9,0	18,0	28,5	5,6
	540.989	○	1.0	14,0	28,0	44,3	8,7
	541.109	○	1.5	28,5	57,0	90,1	17,7
	541.189	○	2.0	45,0	90,0	142,3	27,9
	541.239	○	2.3	59,0	118,0	186,6	36,6

E = narrowest free cross section

Example **Type** + **Material-no.** = **Ordering no.**
for ordering: 540.909 + 16 = 540.909.16