




Cluster head nozzles Series 502/503



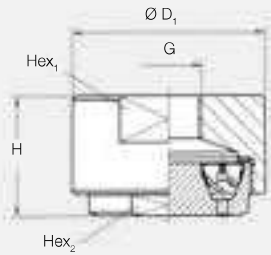
Fine full cone atomization with the aid of several hollow cones spraying into one another.

Applications:

Cooling of gaseous and solid material, desuperheating, chlorine precipitation, absorption as well as for improvement of chemical reaction by enlarging the contact area.




↯ 70°

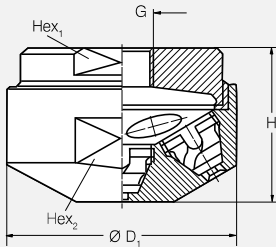


Dimensions [mm]

| | 1/2 | 3/4 |
|------------------|-------|-------|
| Hex ₁ | 46 | 65 |
| Hex ₂ | 38 | 55 |
| H | 25 | 46 |
| D ₁ | 50 | 75 |
| Weight (Brass) | 250 g | 870 g |



↯ 130°



Dimensions [mm]

| | 1/2 | 3/4 |
|------------------|-------|-------|
| Hex ₁ | 27 | 50 |
| Hex ₂ | 36 | 55 |
| H | 28 | 53 |
| D ₁ | 40 | 60 |
| Weight (Brass) | 150 g | 410 g |

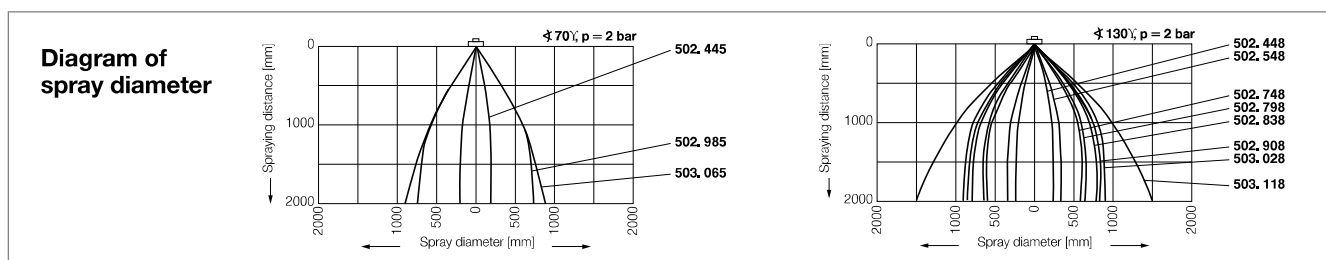
Full cone nozzles

| Spray angle | Ordering no. | | | G | B Ø [mm] | E Ø [mm] | V̇ [l/min] | | | | | Spray diameter D at p = 2 bar | | |
|-------------|--------------|-----------------|----|-----|----------|----------|------------|-------|-------|------------------------|-------|-------------------------------|-------------|-------|
| | Type | Mat. no. | | | | | p [bar] | | | | | H = 1000 mm | H = 2000 mm | |
| | | 17 ¹ | 30 | | | | 0.5 | 1.0 | 2.0 | US [gal/min] at 40 psi | 5.0 | | | 10.0 |
| 70° | 502.445 | - | ○ | 1/2 | 0.90 | 0.50 | - | - | 1.25 | 0.39 | 1.98 | 2.80 | 400 | 400 |
| | 502.985 | ○ | - | 3/4 | 3.30 | 2.00 | 14.00 | 19.80 | 28.00 | 8.68 | 44.30 | 62.60 | 1,200 | 1,500 |
| | 503.065 | ○ | - | 3/4 | 4.90 | 2.00 | 22.10 | 31.80 | 45.00 | 13.96 | 71.10 | 100.60 | 1,200 | 1,800 |
| 130° | 502.448 | ○ | ○ | 1/2 | 0.90 | 0.50 | - | - | 1.25 | 0.39 | 1.98 | 2.80 | 500 | 500 |
| | 502.548 | ○ | ○ | 1/2 | 1.80 | 0.50 | - | 1.58 | 2.24 | 0.69 | 3.54 | 5.01 | 700 | 700 |
| | 502.748 | ○ | ○ | 3/4 | 1.90 | 2.00 | 3.50 | 5.00 | 7.10 | 2.20 | 11.20 | 15.90 | 1,100 | 1,200 |
| | 502.838 | ○ | ○ | 3/4 | 2.90 | 2.00 | 4.60 | 8.30 | 11.80 | 3.66 | 18.70 | 26.40 | 1,400 | 1,600 |
| | 502.908 | ○ | ○ | 3/4 | 4.00 | 2.00 | 8.80 | 12.70 | 18.00 | 5.58 | 28.40 | 40.20 | 1,500 | 1,800 |
| | 503.028 | ○ | ○ | 3/4 | 4.20 | 2.00 | 17.70 | 25.10 | 35.50 | 11.01 | 56.10 | 79.40 | 1,600 | 1,800 |
| | 503.118 | ○ | ○ | 3/4 | 6.50 | 2.00 | 30.00 | 42.00 | 60.00 | 18.61 | 95.00 | 134.00 | 2,000 | 3,000 |

¹ We reserve the right to deliver 316Ti SS or 316L SS under the material no. 17.
B = bore diameter · E = narrowest free cross section

The folded page at the end of the catalogue will give you a survey on the various assembly possibilities. For complete assembly accessories, please refer to "Accessories".

Example for ordering: Type 502.445 + Material-no. 30 = Ordering no. 502.445.30



Conversion formula for the above series: $\dot{V}_2 = \dot{V}_1 \cdot \sqrt{\frac{p_2}{p_1}}$