



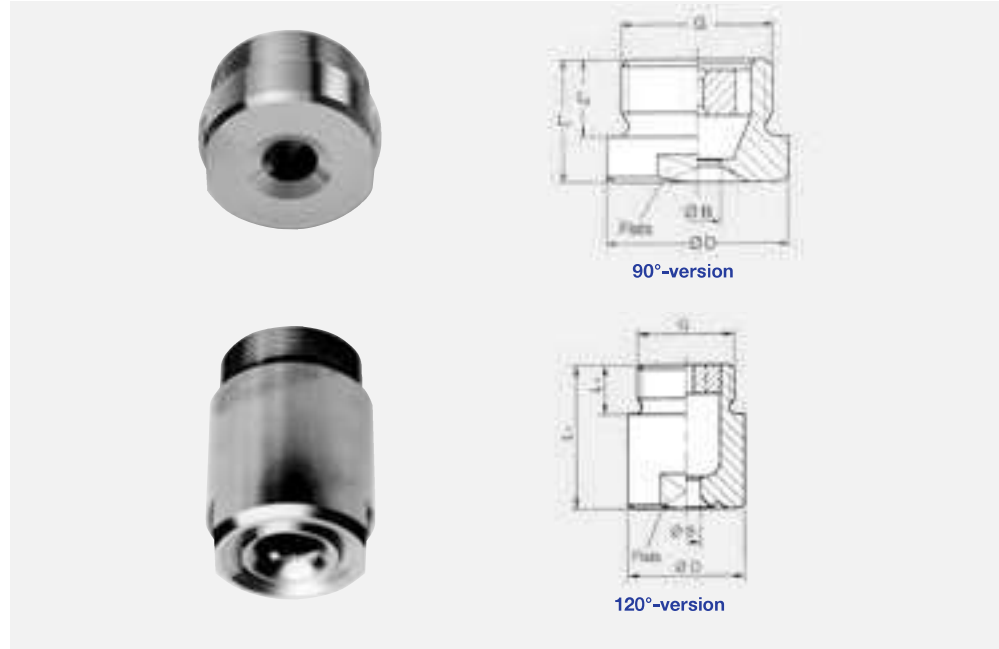
Axial-flow full cone nozzles Series 403



Very uniform spray pattern.

Applications:

Surface spraying, spraying over packings, chemical process engineering, cooling of gaseous fluids and solids.



90°-version

Type	Dimensions [mm]						Weight
	BSPP	L ₁	L ₂	D	Flats		
403,446/403,486	2 1/2	52	27	83	75	1,300 g	
403, 526	3	60	30	98	85	2,000 g	
403,606	3 1/2	70	32	118	105	3,600 g	

120°-version

Type	Dimensions [mm]						Weight
	BSPP	L ₁	L ₂	D	Flats		
403,448/403,488	2 1/2	124	27	83	75	3,200 g	
403,528	3	153	30	98	85	5,400 g	
403,608	3 1/2	156	32	118	105	8,300 g	
403,628	4	165	36	128	110	9,600 g	

Spray angle	Ordering no.		B Ø [mm]	E Ø [mm]	V̇ [l/min]							Spray diameter D at p = 2 bar	
	Type	Mat. no. 1Y			p [bar]							H = 0.5 m	H = 1 m
					0.3	0.5	1.0	2.0	3.0	5.0	7.0		
90°	403.446	○	25.00	12.00	187	230	303	400	470	577	660	900	1,700
	403.486	○	29.50	12.00	234	287	379	500	588	721	825	900	1,700
	403.526	○	32.00	13.80	295	362	477	630	741	909	1,040	900	1,700
	403.606	○	40.00	15.00	468	574	758	1,000	1,176	1,443	1,651	980	1,750
120°	403.448	○	25.50	10.00	187	230	303	400	470	577	660	1,500	2,850
	403.488	○	29.50	11.00	234	287	379	500	588	721	825	1,500	2,850
	403.528	○	32.00	15.00	295	362	477	630	741	909	1,040	1,500	2,850
	403.608	○	42.00	12.00	469	574	758	1,000	1,176	1,443	1,651	1,500	2,850
	403.628	○	45.00	15.00	585	718	947	1,250	1,470	1,903	2,063	1,600	2,900

B = bore diameter · E = narrowest free cross section

Example Type + Material no. = Ordering no.
for ordering: 403.446 + 1Y = 430.446.1Y