



# High pressure flat fan nozzles Series 6FH



**With spray stabilizer.**  
**Sharp uniform flat fan with an extremely narrow jet depth.**

### Applications:

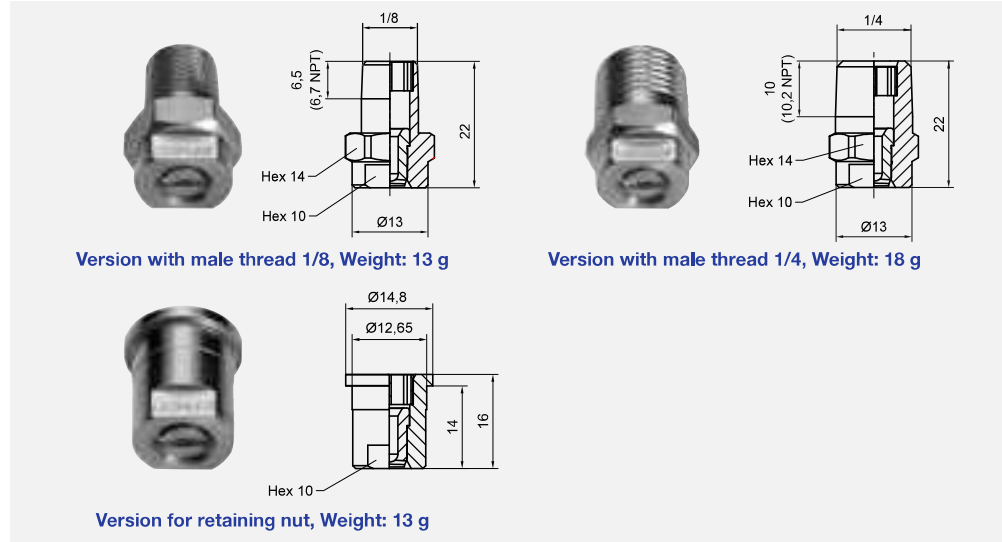
High pressure cleaning.

### Materials:

Nozzle body:  
303 SS

Insert:  
hardened stainless steel  
420F SS

Spray Stabilizer:  
301 SS



| US gal/min. at 40 psi | Nozzle code | Flow rate code |      |      |      | Material no. A3 | A Ø [mm] | $\dot{V}$ [l/min] |       |       |       |       |       |       |  |
|-----------------------|-------------|----------------|------|------|------|-----------------|----------|-------------------|-------|-------|-------|-------|-------|-------|--|
|                       |             | Spray angle    |      |      |      |                 |          | p [bar]           |       |       |       |       |       |       |  |
|                       |             | 20°            | 30°  | 45°  | 60°  |                 |          | 40                | 60    | 80    | 100   | 120   | 150   | 200   |  |
| 02                    | 6FH         | 361            | 362  | 363  | 364  | ○               | 1.00     | 2.88              | 3.53  | 4.08  | 4.56  | 5.00  | 5.58  | 6.45  |  |
| 021                   | 6FH         | 371            | 372  | 373  | 374  | ○               | 1.02     | 3.03              | 3.71  | 4.28  | 4.79  | 5.25  | 5.87  | 6.77  |  |
| 025                   | 6FH         | 381            | 382  | 383  | 384  | ○               | 1.10     | 3.60              | 4.42  | 5.10  | 5.70  | 6.24  | 6.98  | 8.06  |  |
| 028                   | 6FH         | 391            | 392  | 393  | 394  | ○               | 1.16     | 4.04              | 4.94  | 5.71  | 6.38  | 6.99  | 7.81  | 9.02  |  |
| 03                    | 6FH         | 401            | 402  | 403  | 404  | ○               | 1.18     | 4.32              | 5.29  | 6.11  | 6.83  | 7.48  | 8.37  | 9.66  |  |
| 034                   | 6FH         | 411            | 412  | 413  | 414  | ○               | 1.30     | 4.90              | 6.00  | 6.93  | 7.75  | 8.49  | 9.49  | 10.96 |  |
| 038                   | 6FH         | 441            | 442  | 443  | -    | ○               | 1.33     | 5.48              | 6.72  | 7.75  | 8.67  | 9.50  | 10.62 | 12.26 |  |
| 04                    | 6FH         | 451            | 452  | 453  | 454  | ○               | 1.35     | 5.77              | 7.06  | 8.16  | 9.12  | 9.99  | 11.17 | 12.90 |  |
| 043                   | 6FH         | 461            | 462  | -    | -    | ○               | 1.38     | 6.20              | 7.59  | 8.77  | 9.80  | 10.74 | 12.00 | 13.86 |  |
| 045                   | 6FH         | 471            | 472  | 473  | 474  | ○               | 1.40     | 6.49              | 7.95  | 9.18  | 10.26 | 11.24 | 12.57 | 14.51 |  |
| 05                    | 6FH         | 481            | 482  | 483  | 484  | ○               | 1.55     | 7.21              | 8.83  | 10.20 | 11.40 | 12.49 | 13.96 | 16.12 |  |
| 055                   | 6FH         | 501            | 502  | 503  | 504  | ○               | 1.60     | 7.93              | 9.71  | 11.22 | 12.54 | 13.74 | 15.36 | 17.73 |  |
| 06                    | 6FH         | 521            | 522  | 523  | 524  | ○               | 1.72     | 8.65              | 10.60 | 12.24 | 13.68 | 14.99 | 16.75 | 19.35 |  |
| 065                   | 6FH         | 531            | 532  | 533  | 534  | ○               | 1.75     | 9.37              | 11.48 | 13.26 | 14.82 | 16.23 | 18.15 | 20.96 |  |
| 07                    | 6FH         | 541            | 542  | 543  | 544  | ○               | 1.80     | 10.09             | 12.36 | 14.28 | 15.96 | 17.48 | 19.55 | 22.57 |  |
| 075                   | 6FH         | 551            | 552  | 553  | 554  | ○               | 1.90     | 10.81             | 13.25 | 15.29 | 17.10 | 18.73 | 20.94 | 24.18 |  |
| 08                    | 6FH         | 571            | 572  | 573  | 574  | ○               | 2.05     | 11.54             | 14.13 | 16.31 | 18.24 | 19.98 | 22.34 | 25.80 |  |
| 087                   | 6FH         | 581            | 582  | 583  | 584  | ○               | 2.06     | 12.54             | 15.36 | 17.74 | 19.83 | 21.72 | 24.29 | 28.04 |  |
| 09                    | 6FH         | 591            | 592  | 593  | 594  | ○               | 2.10     | 12.98             | 15.89 | 18.35 | 20.52 | 22.48 | 25.13 | 29.02 |  |
| 10                    | 6FH         | 601            | 602  | 603  | 604  | ○               | 2.30     | 14.41             | 17.65 | 20.38 | 22.79 | 24.97 | 27.91 | 32.23 |  |
| 11                    | 6FH         | 621*           | 622* | 623* | 624* | ○               | 2.40     | 15.86             | 19.42 | 22.42 | 25.07 | 27.46 | 30.70 | 35.45 |  |
| 125                   | 6FH         | 641*           | 642* | 643* | 644* | ○               | 2.50     | 18.02             | 22.07 | 25.48 | 28.49 | 31.21 | 34.89 | 40.29 |  |
| 131                   | 6FH         | 651*           | 652* | 653* | 654* | ○               | 2.55     | 18.89             | 23.13 | 26.71 | 29.86 | 32.71 | 36.57 | 42.23 |  |
| 139                   | 6FH         | 661*           | 662* | 663* | 664* | ○               | 2.65     | 20.04             | 24.54 | 28.34 | 31.68 | 34.70 | 38.80 | 44.80 |  |
| 15                    | 6FH         | 671*           | 672* | 673* | 674* | ○               | 2.70     | 21.62             | 26.48 | 30.58 | 34.19 | 37.45 | 41.87 | 48.35 |  |
| 175                   | 6FH         | 701*           | 702* | 703* | 704* | ○               | 3.00     | 25.23             | 30.90 | 35.68 | 39.89 | 43.70 | 48.86 | 56.41 |  |
| 20                    | 6FH         | -              | -    | 723* | 724* | ○               | 3.05     | 28.83             | 35.31 | 40.78 | 45.59 | 49.94 | 55.84 | 64.47 |  |
| 25                    | 6FH         | -              | -    | 763* | 764* | ○               | 3.50     | 36.04             | 44.14 | 50.97 | 56.99 | 62.43 | 69.80 | 80.60 |  |
| 30                    | 6FH         | -              | -    | 793* | -    | ○               | 3.90     | 43.25             | 52.97 | 61.16 | 68.38 | 74.91 | 83.75 | 96.70 |  |

A = equivalent bore diameter \* Only available with connection code CC, BC or 29.

| Connection code | Connection    | p <sub>max</sub> * [bar] |
|-----------------|---------------|--------------------------|
| CA              | 1/8 BSPT      | approx. 700              |
| BA              | 1/8 NPT       | approx. 700              |
| CC              | 1/4 BSPT      | approx. 700              |
| BC              | 1/4 NPT       | approx. 700              |
| 29              | Retaining nut | approx. 300              |

\* Only valid for operation at constant pressure

### Example for ordering:

**Nozzle code** + **Flow rate code** + **Material no.** + **Connection code** = **Ordering no.**  
**6FH** + **361** + **A3** + **CA** = **6FH.361.A3.CA**  
 (Flat fan 20°; 4.56 l/min. at 100 bar; 1/8 BSPT)

