



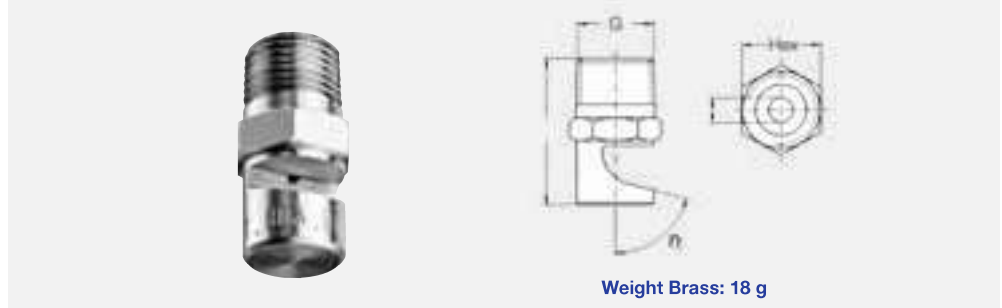
# Tongue-type nozzles Series 686




**Wide flat fan with a sharply delimited jet pattern. Particularly clog-proof.**

### Applications:

Foam control in storage tanks, crate washers, cleaning and washing processes requiring powerful and concentrated water jets.



Spray angle	$\eta$	Ordering no.							B Ø [mm]	$\dot{V}$ [l/min]			Dimensions								Spray width B at p=2 bar  H = 250 mm		
		Type	Mat. no.			Code G				p [bar]			L [mm]				Hex [mm]						
			16 303 SS	30 Brass	5E PVDF	1/8 BSPT	1/4 BSPT	3/8 BSPT		1/2 BSPT	1.0	2.0	5.0	R 1/8	R 1/4	R 3/8	R 1/2	R 1/8	R 1/4	R 3/8		R 1/2	
90°	75°	686.366	-	○	-	CA	-	-	-	0.80	0.45	0.63	1.00	22	-	-	-	11	-	-	-	520	
	75°	686.406	○	○	-	CA	-	-	-	1.00	0.71	1.00	1.58	23	-	-	-	11	-	-	-	525	
	40°	686.686	○	○	-	-	CC	-	-	2.40	3.54	5.00	7.91	-	29	-	-	-	14	-	-	530	
	40°	686.726	-	○	-	CA	-	-	-	2.70	4.45	6.30	9.96	26	-	-	-	11	-	-	-	530	
	40°	686.806	○	○	-	-	CC	-	-	3.40	7.07	10.00	15.81	-	34	-	-	-	14	-	-	530	
	40°	686.886	○	-	-	-	CC	-	-	4.20	11.31	16.00	25.30	-	36	-	-	-	17	-	-	530	
	40°	686.926	○	-	-	-	-	CE	-	4.70	14.14	20.00	31.62	-	-	-	39	-	-	-	17	-	530
140°	75°	686.368	○	○	-	CA	-	-	-	0.80	0.45	0.63	1.00	23	-	-	-	11	-	-	-	1,360	
		686.408	○	○	-	CA	-	-	-	1.00	0.71	1.00	1.58	23	-	-	-	11	-	-	-	1,370	
		686.448	○	○	-	-	CC	-	-	1.20	0.88	1.25	1.98	-	28	-	-	-	14	-	-	-	1,370
		686.488	○	○	-	CA	CC	-	-	1.30	1.13	1.60	2.53	23	28	-	-	11	14	-	-	-	1,370
		686.528	○	○	-	CA	CC	-	-	1.50	1.41	2.00	3.16	23	28	-	-	11	14	-	-	-	1,370
		686.568	○	○	○*	CA	CC	-	-	1.70	1.77	2.50	3.59	23	-	-	-	11	-	-	-	-	1,370
		686.608	○	○	-	CA	CC	-	-	1.90	2.23	3.15	4.98	23	28	-	-	11	14	-	-	-	1,370
		686.648	○	○	-	-	CC	-	-	2.20	2.83	4.00	6.32	-	28	-	-	-	14	-	-	-	1,370
		686.688	○	○	-	CA	CC	-	-	2.40	3.54	5.00	7.91	23	28	-	-	11	14	-	-	-	1,370
		686.728	○	○	-	CA	CC	-	-	2.70	4.45	6.30	9.96	23	-	-	-	11	-	-	-	-	1,370
		686.768	○	○	-	-	CC	-	-	3.00	5.66	8.00	12.65	-	28	-	-	-	14	-	-	-	1,370
		686.808	○	○	-	CA	CC	-	-	3.40	7.07	10.00	15.81	23	28	-	-	11	14	-	-	-	1,370
		686.828	○	○	-	-	CC	-	-	3.60	7.92	11.20	17.71	-	28	-	-	-	14	-	-	-	1,370
		686.848	○	○	-	-	CC	-	-	3.80	8.80	12.50	19.76	-	28	-	-	-	14	-	-	-	1,370
		686.868	○	○	-	-	CC	-	-	4.00	9.90	14.00	22.14	-	28	-	-	-	14	-	-	-	1,370
		686.888	○	○	-	-	CC	-	-	4.20	11.31	16.00	25.30	-	28	-	-	-	14	-	-	-	1,370
		686.908	○	○	-	-	CC	-	-	4.50	12.73	18.00	28.46	-	28	-	-	-	14	-	-	-	1,370
		686.928	○	-	-	-	-	CE	-	4.70	14.14	20.00	31.62	-	-	-	32	-	-	-	17	-	1,370
		686.968	-	○	-	-	-	-	CG	5.30	17.68	25.00	39.53	-	-	-	32	40	-	-	17	22	1,370
		686.988	○	-	-	-	-	CE	CG	5.60	19.80	28.00	44.27	-	-	-	32	40	-	-	17	22	1,370

B = bore diameter  
Can also be used for air or saturated steam (see page 6.8).  
\* Only available with code CA

**The folded page at the end of the catalogue will give you a survey on the various assembly possibilities. For complete assembly accessories, please refer to "Accessories".**

**Example of ordering:** Type + Material no. + Code = Ordering no.  
686.366 + 30 + CA = 686.366.30.CA

Conversion formula for the above series:  $\dot{V}_2 = \dot{V}_1 * \sqrt{\frac{p_2}{p_1}}$