



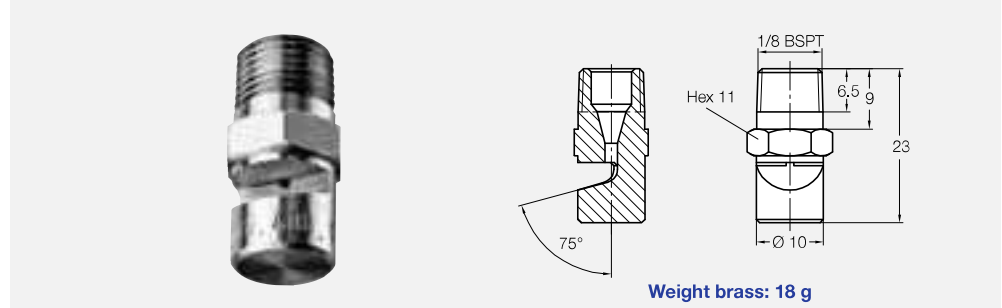
Tongue-type nozzles for air or saturated steam


Series 686

**Wide-angle,
powerful air jet.**

Applications:

Blowing off liquids, cooling,
reheating, drying.



Spray angle 	Ordering no.				B Ø [mm]	η	ṽ _n Air [m³/h]				Ṁ Saturated steam [kg/h]			
	Type	Mat. no.		Code			p [bar]				p [bar]			
		16 303 SS	30 Brass				1.0	2.0	5.0	10.0	1.0	2.0	5.0	10.0
approx. 27-47°	686.408	○	○	CA	1.0	75°	1.07	1.60	3.20	5.86	0.88	1.31	2.57	4.64
	686.488	○	○	CA	1.3	75°	1.76	2.64	5.29	9.69	1.46	2.17	4.25	7.67
approx. 70°	686.528	○	○	CA	1.5	75°	2.20	3.31	6.61	12.13	1.83	2.71	5.31	9.59
	686.568	○	○	CA	1.7	75°	2.73	4.09	8.19	15.01	2.27	3.36	6.57	11.87
	686.608	○	○	CA	1.9	75°	3.35	5.02	10.04	18.40	2.78	4.11	8.06	14.55
	686.688	○	○	CA	2.4	75°	5.45	8.18	16.36	30.00	4.53	6.71	13.14	23.72
	686.728	○	○	CA	2.7	75°	6.88	10.33	20.65	37.86	5.71	8.46	16.58	29.94
	686.808	○	○	CA	3.4	75°	10.89	16.33	32.66	59.87	9.04	13.28	26.22	47.35

B = bore diameter

The folded page at the end of the catalogue will give you a survey on the various assembly possibilities. For complete assembly accessories, please refer to »Accessories«.

Example of ordering:	Type	+	Mat. no.	+	Code	=	Ordering no.
	686.408	+	16	+	CA	=	686.408.16.CA



Ball joints see page 9.8