



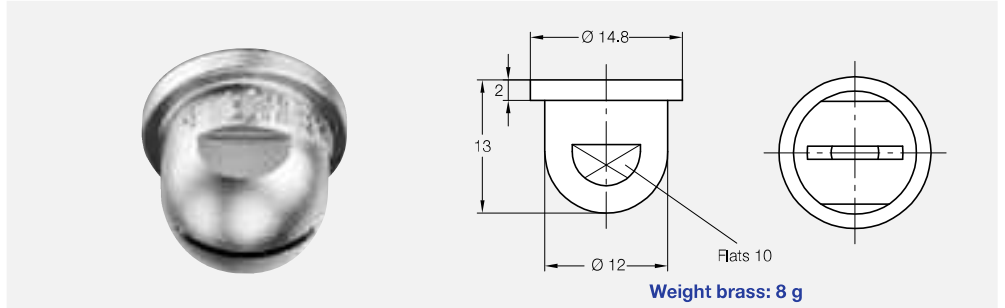
Flat fan nozzles for air or saturated steam


Series 679

**Particularly wide-angle,
powerful air jet.
Assembling with retaining
nut. Easy nozzle changing.
Simple jet alignment.**

Applications:

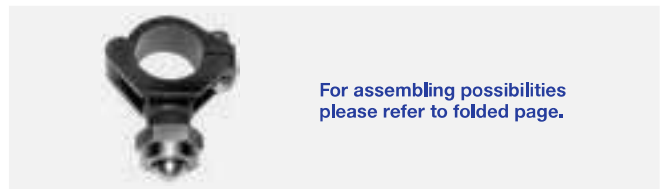
Blowing off liquids, cooling,
reheating, drying.



| Spray angle  | Ordering no. | | A Ø [mm] | \dot{V}_n Air [m³/h] | | | | \dot{M} Saturated steam [kg/h] | | | | |
|--|--------------|----------------|-------------|------------------------|-------|-------|--------|----------------------------------|-------|-------|-------|-------|
| | Type | Mat. no. | | p [bar] | | | | p [bar] | | | | |
| | | 17 316Ti SS | | 30 Brass | 0.5 | 2.0 | 5.0 | 10.0 | 0.5 | 2.0 | 5.0 | 10.0 |
| approx. 70°–90° | 679.037 | - | ○ | 1.2 | 1.50 | 3.00 | 6.00 | 11.00 | 1.20 | 2.30 | 4.60 | 8.30 |
| | 679.085 | ○ | ○ | 1.3 | 2.00 | 4.00 | 8.00 | 14.70 | 1.60 | 3.10 | 6.10 | 11.10 |
| | 679.117 | ○ | ○ | 1.5 | 2.10 | 4.20 | 8.40 | 15.40 | 1.70 | 3.30 | 6.50 | 11.70 |
| | 679.165 | ○ | ○ | 1.8 | 2.60 | 5.10 | 10.30 | 18.80 | 2.00 | 4.10 | 8.00 | 14.30 |
| | 679.255 | ○ | ○ | 2.1 | 3.60 | 7.30 | 14.50 | 26.60 | 2.80 | 5.70 | 11.20 | 20.20 |
| | 679.365 | ○ | ○ | 2.8 | 6.30 | 12.70 | 25.40 | 46.50 | 5.00 | 10.00 | 19.60 | 35.30 |
| | 679.415 | ○ | ○ | 3.6 | 10.20 | 20.30 | 40.70 | 74.60 | 8.00 | 16.00 | 31.40 | 56.70 |
| 679.495 | ○ | ○ | 4.3 | 15.60 | 31.10 | 62.20 | 114.00 | 12.40 | 24.80 | 48.50 | 87.60 | |

A = equivalent bore diameter

| | | | | | |
|---------------------|-------------|----------|-----------------|----------|---------------------|
| Example | Type | + | Mat. no. | = | Ordering no. |
| of ordering: | 679.037. | + | 30 | = | 679.037.30 |



For assembling possibilities
please refer to folded page.

The folded page at the end of the catalogue will give you a survey on the various assembly possibilities. For complete assembly accessories, please refer to »Accessories«.

