



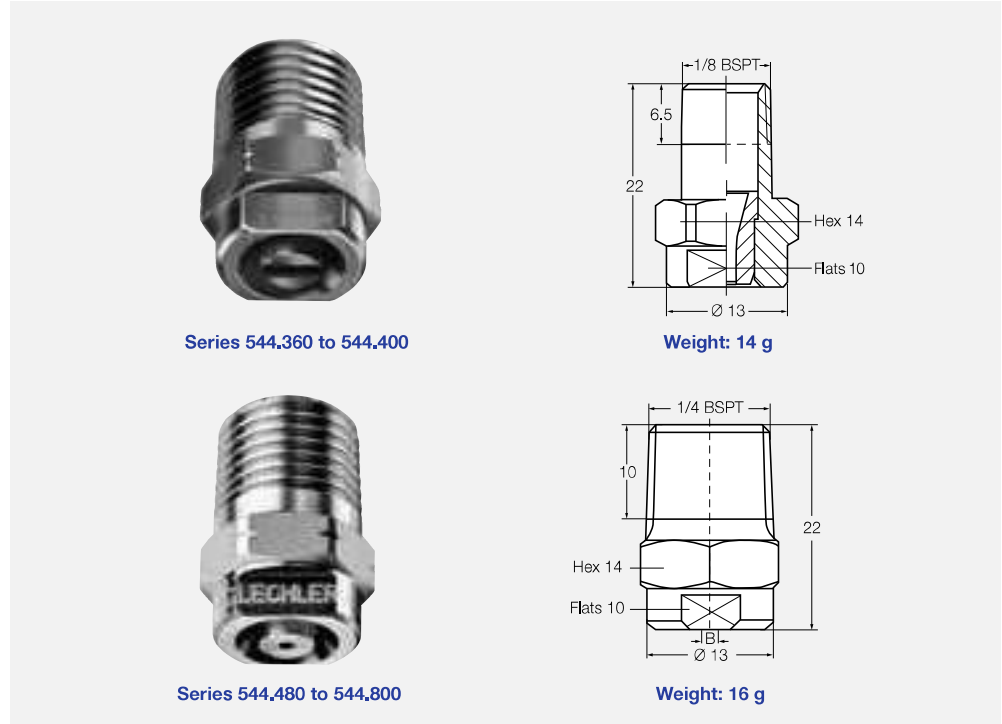
Solid stream nozzles for air or saturated steam

Series 544

**Powerful air jet,
producing punctiform
impact patterns.**

Applications:

Targeted blowing out and blowing off.



Type	Ordering no.			B Ø [mm]	\dot{V}_n Air [m³/h]				\dot{M} Saturated steam [kg/h]			
	Mat. no.	Code			p [bar]				p [bar]			
		16	303 SS		1/8 BSPT	1/4 BSPT	1.0	2.0	3.0	5.0	1.0	2.0
544.360	○	CA	CC	1.05	0.93	1.40	1.92	2.88	0.77	1.14	1.64	2.42
544.400	○	CA	CC	1.30	1.43	2.14	2.94	4.41	1.18	1.75	2.51	3.71
544.480	○	CA	CC	1.33	1.67	2.51	3.42	5.13	1.39	2.06	2.92	4.23
544.560	○	CA	CC	1.69	2.58	3.87	5.27	7.90	2.14	3.18	4.50	6.66
544.640	○	CA	CC	2.09	4.33	6.50	8.81	13.22	3.60	5.33	7.52	11.13
544.720	○	CA	CC	2.66	6.85	10.27	14.00	21.02	5.68	8.42	11.96	17.70
544.800	○	CA	CC	3.30	10.75	16.12	21.87	32.81	8.92	13.21	18.66	27.63

B = bore diameter

Example **Type** + **Mat. no.** + **Code** = **Ordering no.**
of ordering: 544.360 + 16 + CA = 544.360.16.CA



Ball joints see page 9.8