



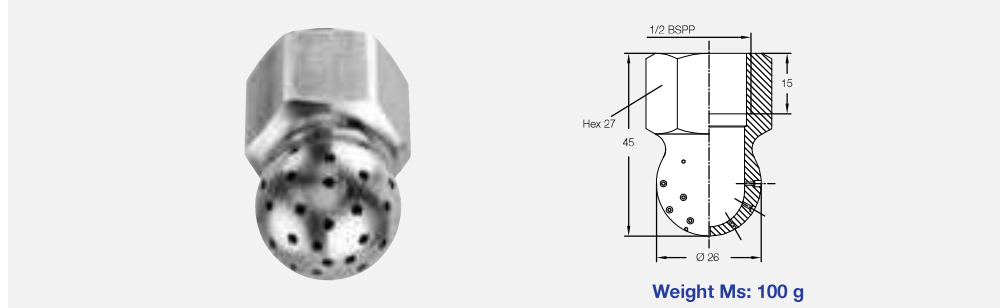
Cluster solid stream nozzles for air or saturated steam


Series 540/541

Powerful air jet with 40 individual bore holes.

Applications:

Injection of steam into liquids, injection of compressed air into bulk goods, gas injection (acid and neutralization baths).



 Spray angle	Ordering no.		B Ø [mm]	\dot{V}_n Air [m³/h]				\dot{M} Saturated steam [kg/h]			
	Type	Mat. no.		p [bar]				p [bar]			
		16		1.0	2.0	3.0	5.0	1.0	2.0	3.0	5.0
approx. 240°	540.909	○	0,8	22,80	34,20	45,50	68,30	18,10	26,90	35,50	52,70
	540.989	○	1,0	35,50	53,30	71,00	106,50	28,20	41,70	55,10	81,70
	541.109	○	1,5	83,30	124,90	166,50	249,80	66,00	97,70	129,20	191,60
	541.189	○	2,0	129,70	194,50	259,30	389,00	103,00	152,60	201,70	299,10
	541.239	○	2,3	167,20	250,80	334,30	501,50	133,20	197,30	260,80	386,60

B = bore diameter

Example of ordering:	Type	+	Mat. no.	=	Ordering no.
	540.909	+	16	=	540.909.16