



High impact tank cleaning machine

»IntenseClean«

Series 5TM



- Gear driven
- Very powerful solid jets
- Popular and proven design

Materials:

316L SS, 304 SS, 302 SS,
PTFE, PEEK

Max. temperature:

95 °C

Recommended operating pressure:

5 bar

Installation:

Operation in every direction possible

Filtration:

Line strainer with a mesh size of 0,2 mm/80 mesh

Bearing:

Ball bearing

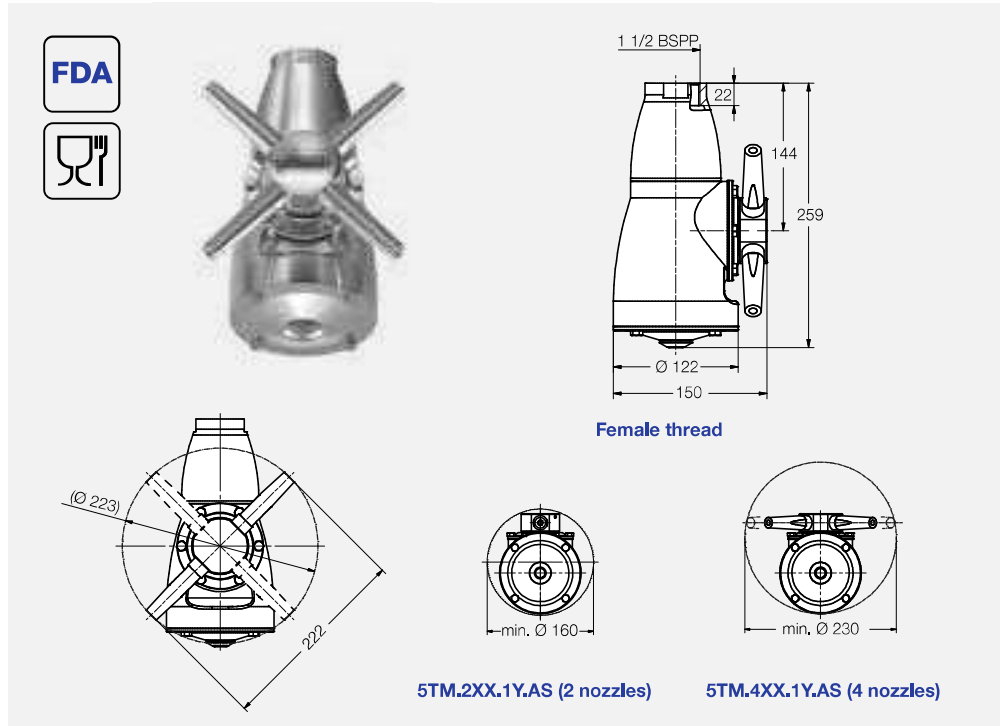
Weight:

7,5 kg

Rotation monitoring sensor:



Sensor compatible, please ask for more information.



Spray angle	Ordering no.	E Ø [mm]	Number, Ø Nozzles [mm]	V̇ [l/min]				Max. tank diameter [m]
				p [bar] (p _{max} = 7 bar)				
				2	3	5	at 40 psi [US gal./ min]	
360°	5TM.208.1Y.AS	8	2 x 8,0	125	153	198	39	24,0
	5TM.210.1Y.AS	10	2 x 10,0	160	196	253	50	24,0
	5TM.406.1Y.AS	6	4 x 6,0	140	171	221	43	18,0
	5TM.407.1Y.AS	7	4 x 7,0	170	208	269	53	20,0
	5TM.408.1Y.AS	8	4 x 8,0	200	245	316	62	22,0
	5TM.410.1Y.AS	10	4 x 10,0	260	318	411	81	23,0

E = narrowest free cross-section

The maximum tank diameter shown above applies for the recommended operating pressure and is indicative only. The cleaning result is also affected by the type of soiling.