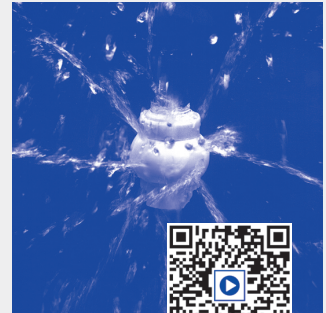




Rotating cleaning nozzles »Teflon® Whirly« Series 573 / 583

Series 573 / 583

The Teflon® Whirly is of particular interest for applications in the chemical, pharmaceutical and food industries. It works with rotating solid jets and is suitable for use in corrosive environments. The slip-on connection has a 3A® certification and can be used in areas subject to particularly high hygiene requirements, such as contact with food.



Function video

Scan the QR-code
or go to:
[www.lechler.de/
TeflonWhirlyGB](http://www.lechler.de/TeflonWhirlyGB)



Max. tank diameter [m]

0 | 1 | 2 | 3 | 4 | 5 | 6 | 7 | 8 | 9



Material
PTFE (Teflon®)



Max. temperature
95 °C (Versions for use with higher temperature (130 °C) on request)



Recommended operating pressure
2 bar



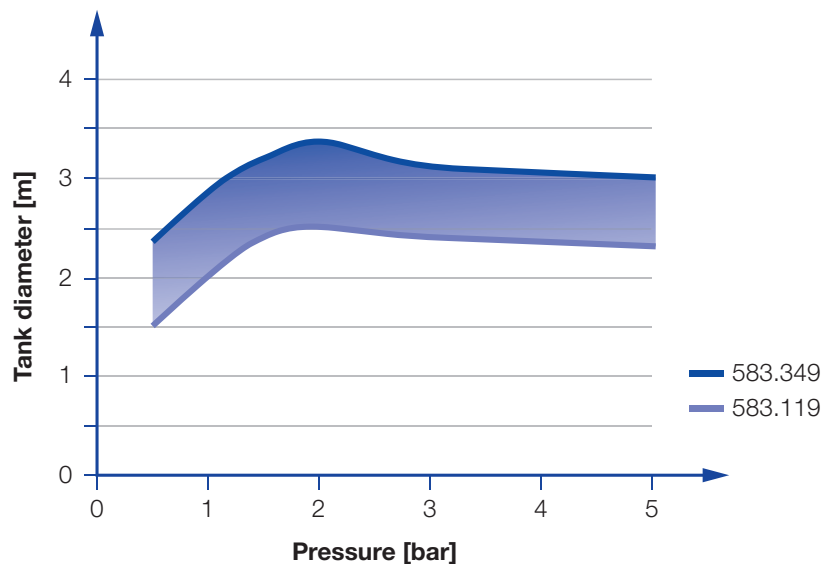
Installation
Operation in every direction is possible



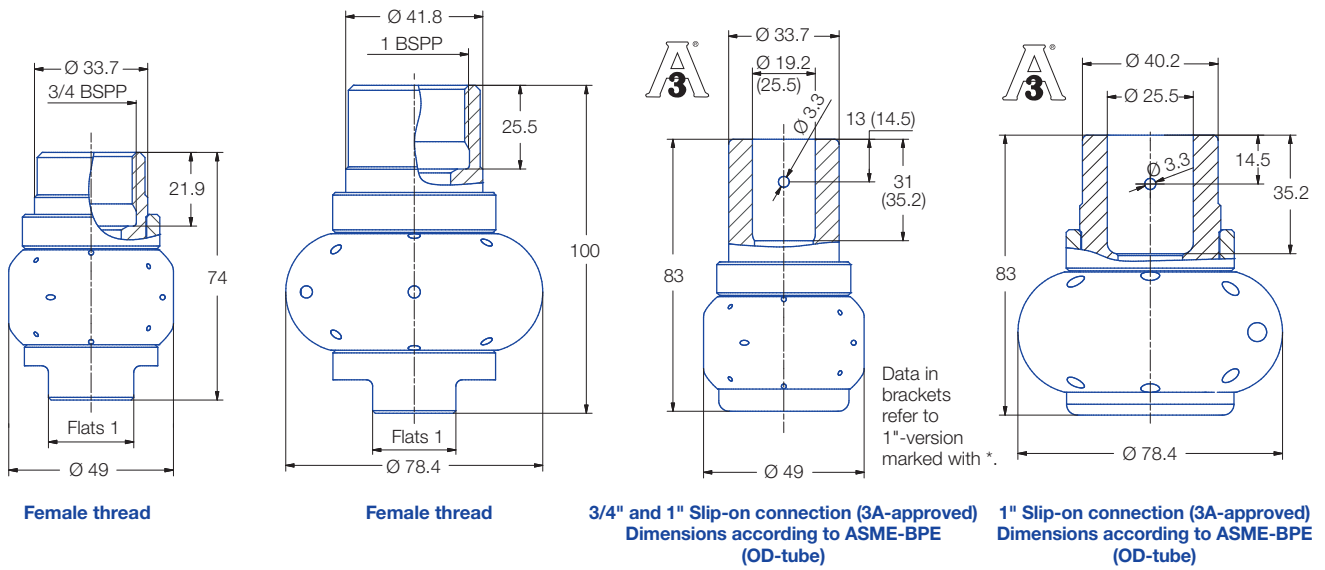
Filtration
Line strainer with a mesh size of 0.3 mm/50 Mesh



Bearing
Slide bearing made of PTFE



Overview of the tank diameter, depending upon the pressure of series 573 / 583



| Spray angle | R-clip | Ordering no. | | | | E Ø [mm] | V̇ [l/min] | | | | Max. tank diameter [m] | |
|-------------|--------|--------------|------------|--------|--------------|----------------|------------------------------------|-----|-----|-----|------------------------|-------------------------|
| | | Type | Connection | | | | p [bar] (p _{max} = 6 bar) | | | | | |
| | | | 3/4 BSPP | 1 BSPP | 3/4" Slip-on | | 1" Slip-on | 1 | 2 | 3 | | at 40 psi [US gal./min] |
| 180° | 1) | 583.114.55 | AL | - | TF07 | TF10* | 2.1 | 47 | 67 | 82 | 21 | 2.5 |
| | 1) | 583.264.55 | AL | - | TF07 | TF10* | 3.3 | 103 | 145 | 178 | 45 | 2.8 |
| | 2) | 583.344.55 | - | AN | - | TF10 | 7.1 | 159 | 225 | 276 | 70 | 3.2 |
| 180° | 1) | 573.114.55 | AL | - | TF07 | TF10* | 2.1 | 47 | 67 | 82 | 21 | 2.5 |
| | 1) | 573.264.55 | AL | - | TF07 | TF10* | 3.3 | 103 | 145 | 178 | 45 | 2.8 |
| | 2) | 573.344.55 | - | AN | - | TF10 | 7.1 | 159 | 225 | 276 | 70 | 3.2 |
| 270° | 1) | 583.116.55 | AL | - | TF07 | TF10* | 2.4 | 47 | 67 | 82 | 21 | 2.5 |
| | 1) | 583.266.55 | AL | - | TF07 | TF10* | 3.4 | 103 | 145 | 178 | 45 | 2.8 |
| | 2) | 583.346.55 | - | AN | - | TF10 | 5.9 | 159 | 225 | 276 | 70 | 3.2 |
| 270° | 1) | 573.116.55 | AL | - | TF07 | TF10* | 2.4 | 47 | 67 | 82 | 21 | 2.5 |
| | 1) | 573.266.55 | AL | - | TF07 | TF10* | 3.4 | 103 | 145 | 178 | 45 | 2.8 |
| | 2) | 573.346.55 | - | AN | - | TF10 | 5.9 | 159 | 225 | 276 | 70 | 3.2 |
| 360° | 1) | 583.119.55 | AL | - | TF07 | TF10* | 1.8 | 41 | 58 | 71 | 18 | 2.4 |
| | 1) | 583.209.55 | AL | - | TF07 | TF10* | 3.5 | 71 | 100 | 122 | 31 | 2.5 |
| | 1) | 583.269.55 | AL | - | TF07 | TF10* | 4.8 | 103 | 145 | 178 | 45 | 2.8 |
| | 2) | 583.279.55 | - | AN | - | TF10 | 3.7 | 106 | 150 | 184 | 47 | 3.0 |
| | 2) | 583.349.55 | - | AN | - | TF10 | 5.6 | 159 | 225 | 276 | 70 | 3.2 |

E = Narrowest free cross-section · NPT on request

The maximum tank diameter shown above applies for the recommended operating pressure and is indicative only. The cleaning result is also affected by the type of soiling.

Information on operation

- Operation with compressed air only for short-term usage. Operation above the recommended operating pressure means higher wear and smaller droplets. This might have adverse effects on the cleaning result. Teflon® is a registered trademark of E. I. DuPont De Nemours and Company.

Slip-on information

- R-clip made of stainless steel 316L SS is included (Ordering no.: R-clip 1: 095.022.1Y.50.88.E, R-clip 2: 095.022.1Y.50.60.E).
- Depending on diameter of the adapter the flow rate can increase due to leakage between connecting pipe and rotating cleaning nozzle.

| | | | | | |
|-----------------------------|-------------|----------|-------------------|----------|---------------------|
| Example of ordering: | Type | + | Connection | = | Ordering no. |
| | 583.114.55. | + | AL | = | 583.114.55.AL |