

Product information

**Pressure Switch PH1**



- Adjustable switch point
- Adjustable hysteresis
- Change over contact
- Plug DIN 43650-A
- Lateral cable exit

**Characteristics**

Mechanical pressure controller in which a membrane or piston is pre tensioned by a spring. Two adjustment screws permits the setting of the switch point and the hysteresis.

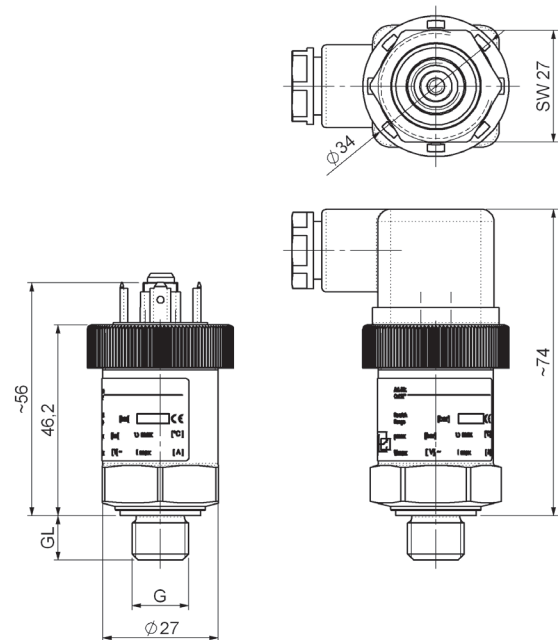
**Technische Daten**

<b>Switch</b>	Mechanical switch	
<b>Process connection</b>	Male thread R1/4, G1/8, G1/4, 1/4NPT, 1/8NPT, M10x1	
<b>Switching range</b>	0,2..320 bar	for details see table "Ranges"
<b>Pressure resistance</b>	PS 60bar/ 350 bar	
<b>Tolerance</b>	± 2% at RT relative to full scale value	
<b>Hysteresis</b>	Adjustable, see diagram „Hysteresis“	
<b>Media temperature</b>	-20..+80°C (Viton 0..100°C)	
<b>Ambient temperature</b>	-20..+80°C	
<b>Media</b>	water, oils, gases	
<b>Wiring</b>	Change over No. 0.467	
<b>Switching voltage</b>	Max. 250 VAC	
<b>Switching current</b>	Max. 4 A (2 A inductive)	
<b>Protection class</b>	1 – PE connection	
<b>Ingress protection</b>	IP 65	
<b>Electrical connection</b>	Plug DIN 43650-A/ ISO 4400 with screw clamp in the plug	
<b>Materials medium-contact</b>	Diaphragm type NBR or EPDM or Viton. Piston type: PTFE with NBR or EPDM or Viton steel, zinc coated or stainless steel (1.4305)	
<b>Non-medium-contact materials</b>	PA 6.6, NBR	
<b>Weight</b>	0,15kg	
<b>Installation location</b>	installation location as desired	

**Ranges**

Switching Range bar (rel.)	Type	Pressure resistance PS bar	Functional principle
- 0,85 ..1	001	60	Diaphragm
0,2 .. 2	002		
0,5 .. 8	008		
1 .. 16	016		
10 .. 30	030	350	Piston
10 .. 80	080		
10 .. 120	120		
10 .. 160	160		
20 .. 200	200		
20 .. 250	250		
30 .. 320	320		

**Dimensions**



**Handling and operation**

**Notes**

- If the medium is dirty, install a filter
- It must be ensured that the values given for voltage, current, and power are not exceeded.
- Check resistance to aggressive media, no DI water.
- Supplied with mating plug.

Torques and thread lengths of the fluid connections

R 1/4, G 1/4, 1/4NPT	20-25 Nm	12 mm
G 1/8, 1/8NPT, M10x1	15-20 Nm	10 mm

