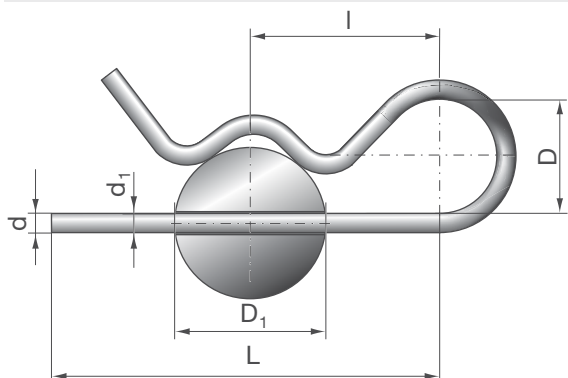


Dfi ý]bcj f`nzj`U _m`YXbcXi W f

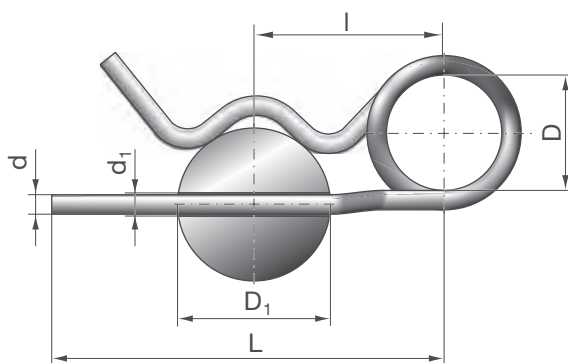


Gna Vc`	>YXbch_U	Bzncj
D ₁	mm	Ú!a{ ^!Á@ãã^ æ
d	mm	Ú!a{ ^!Á!fč
d ₁	mm	Uç[í!Á@ãã^!ã

Nzj`U _U`%&\$\$ž9B`%\$&+\$!%ždcn]b_cj Ubzž dcX U!cj zfYbg_Y`bcfa m						
Ü[: { ^!`						Uç[í!Á@ãã^
ŠÁ mm	!Á { {	ÖÁ { {	á { {	á _F { {	Ö _F { {	UatÉ È
50,0	G ě	F ě	G ě	G ě	J ě	ž0Á ě
60,0	G ě	F ě	H ě	H ě	F ě	ž0Á ě
60,0	H ě	G ě	I ě	I ě	F ě	ž0Á ě
85,0	I ě	G ě	I ě	I ě	G ě	ž0Á ě
105,0	I ě	H ě	I ě	I ě	G ě	ž0Á ě
105,0	I ě	H ě	I ě	I ě	G ě	ž0Á ě
110,0	I ě	G ě	I ě	J ě	H ě	ž0Á ě

Závlačky %X`' %\$ž9B`%\$&+\$!`						
Ü[: { ^!`						Uç[í!Á@ãã^
ŠÁ { {	!Á { {	ÖÁ { {	á { {	á _F { {	Ö _F { {	UatÉ È
G ě	F ě	I ě	Ě ě	F ě	I ě	ž0Á ě
G ě	F ě	I ě	F ě	F ě	I ě	ž0Á ě
H ě	F ě	I ě	F ě	F ě	I ě	ž0Á ě
I ě	G ě	I ě	F ě	G ě	I ě	ž0Á ě
I ě	G ě	F ě	G ě	G ě	J ě	ž0Á ě
I ě	G ě	F ě	G ě	H ě	F ě	ž0Á ě

Dfi ý]bcj f`nzj`U _mXj c`lf



Symbol	Jednotka	Názov
D ₁	mm	Priemer hriadeľa
d	mm	Priemer drôtu
d ₁	mm	Otvor v hriadelí

Nzj`U _m`%&\$\$ž9B`%\$&+\$!%ždcn]b_cj UbžždcX U!cj zfYbg_Y`bcfa m						
Rozmery				Otvor/Hriadeľ		
L mm	l mm	D mm	d mm	d ₁ mm	D ₁ mm	Obj. č.
50,0	25,0	10,0	2,0	2,5	8 - 14	FD 25
62,0	32,0	16,0	3,0	3,5	14 - 20	FD 35
78,0	44,0	23,0	4,0	4,5	17 - 24	FD 45
92,0	50,0	26,0	5,0	5,5	18 - 30	FD 55
120,0	70,0	30,0	6,0	6,5	24 - 36	FD 65
130,0	72,0	30,0	7,0	8,0	26 - 40	FD 80
130,0	76,0	30,0	8,0	9,0	24 - 40	FD 90

Nzj`U _m`%&\$\$ž9B`%\$&+\$!%ždcn]b_cj UbžždcX U8-B`%\$&`						
Rozmery				Otvor/Hriadeľ		
L mm	l mm	D mm	d mm	d ₁ mm	D ₁ mm	Obj. č.
42,0	24,0	20,0	2,25	2,5	9 - 11	FD 25D
48,0	26,0	20,0	2,80	3,2	11 - 14	FD 35D
64,0	32,0	20,0	3,60	4,0	14 - 20	FD 45D
80,0	39,0	25,0	4,50	5,0	20 - 26	FD 55D
97,0	45,0	25,0	5,60	6,3	26 - 34	FD 65D
125,0	56,0	30,0	6,30	7,0	34 - 45	FD 80D
150,0	63,0	30,0	7,00	8,0	45 - 56	FD 90D