

# RSE linear retraction system

System design with matching e-chains®

Matching triflex® R e-chain® for RSE linear

TRC .XX.R.0

TRE .XX.R.0.B

TRCF.XX.R.0



e-chain® total length\* =

Additional length **A1** +

Dimension **A** +

Additional length **A6**

Limit protector

RSE linear system

(without e-chain®) +

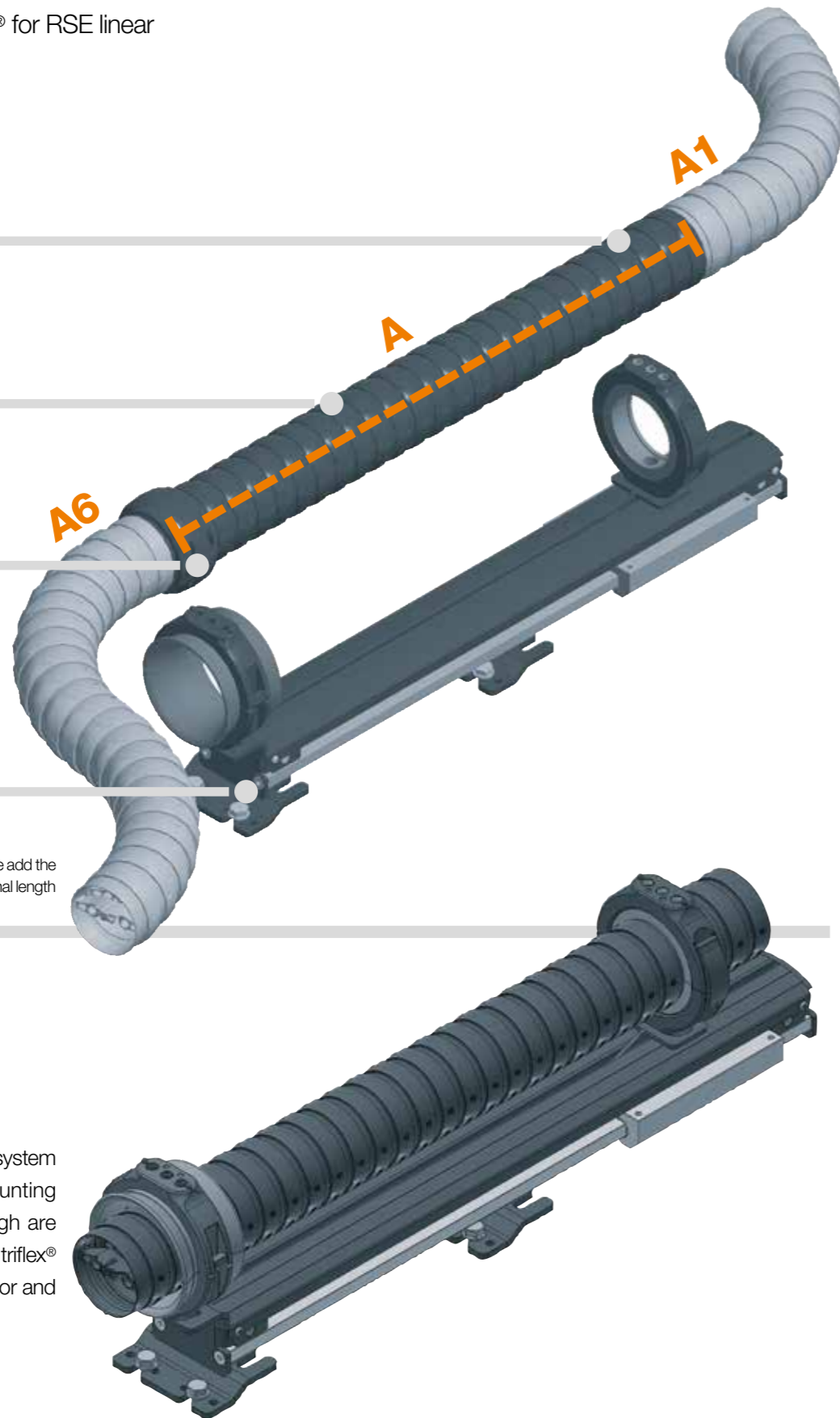
Mounting bracket +

Gliding feed-through =

TR.RSE.XX

\*To calculate the e-chain® total length: please add the additional length in direction **A1**, the additional length in direction **A6** and the dimension **A**.

Complete RSE linear retraction system with TRE triflex® R series. Mounting bracket and gliding feed-through are included. Please order matching triflex® R e-chain®, optional limit protector and RSE linear supports separately.



# RSE linear retraction system

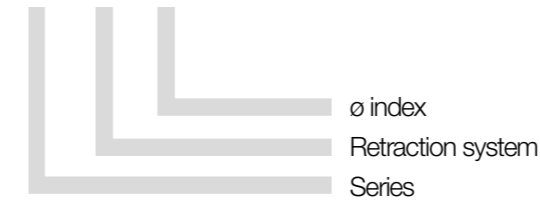
Sample order of a retraction system including e-chain®

Sample order of a complete TR.RSE linear system, ø index 85, and e-chain® (length: 2m)

System	Insert ø index	TR.RSE.85
+ e-chain®	Insert ø index / Insert bend radius <i>R</i> / Insert length in metres	2m TRC.85.135.0
+ Protector	Insert protector variant / Insert ø index	TR.85.30
Order text:	TR.RSE.85. + 2m TRC.85.135.0 + TR.85.30	

Retraction system order key

TR.RSE.85



e-chains® order key

TRC .85.135.0

TRE .85.135.0.B

TRCF.85.135.0



## Optional accessories | RSE linear pneumatic retraction system



RSE linear support  
for lateral deflection  
of the triflex® R, optional  
► Page 104



Protectors  
with screw connections  
or quick release  
► Page 47



Adapter consoles  
for custom  
mounting options  
► Page 123



Axis 6 clamp  
for triflex® R  
mounting bracket  
► Page 126

# RSE·RSEC linear

Product range



Product range | RSE·RSEC linear | For Ø index 40-65

Ø Index	Part No. RSE linear	Retraction length <sup>1)</sup> ≤ [mm]	A [mm]	B [mm]	C [mm]	Weight [kg]	Part No. RSE support	Principle sketch
30.	▶ -	-	-	-	-	-	-	
40.	▶ TR.RSE.40	290	457	140	143	1.4	TR.919.540.40.02	
50.	▶ TR.RSE.50	290	475	140	151	1.7	TR.919.540.50.02	
60.	▶ TR.RSEC.60	250	476	140	179	2.2	TR.919.540.60.02	
65.	▶ TR.RSEC.65	250	488	140	179	2.2	TR.919.540.65.02	For lateral
65. (R 200)	▶ TR.RSEC.65.200	250	488	140	179	2.2	-	deflection of energy supply

Please order matching triflex® R e-chain® separately. 1) Max. retraction length. Optional RSE support must be ordered separately.

RSE linear sizes TR.RSE.60 up to TR.RSE.100 ▶ From page 104

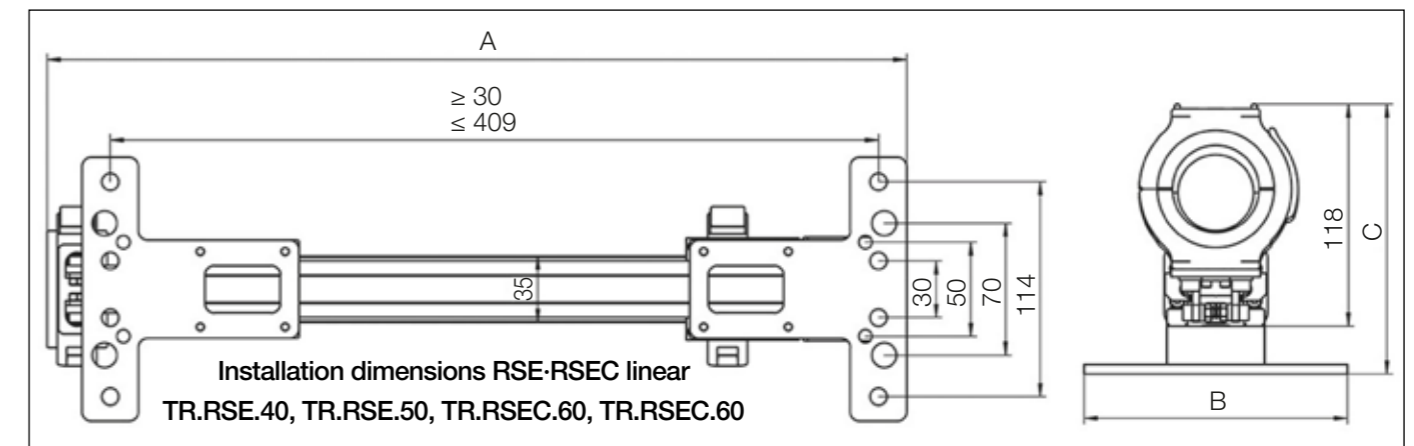
Product range | RSE linear support, optional

**RSE linear support to support and anchor a fixed end loop**

Part No. TR.919.540.XX.02  
Scope of delivery:  
Metal support plate,  
mounting bracket and  
mounting screws

# RSE·RSEC linear

Installation dimensions | For Ø index 40-65



## RSE·RSEC linear retraction system

Mounting bracket and gliding feed-through are included.

Please order matching triflex® R e-chain® separately.



# RSE linear retraction system

## Product range



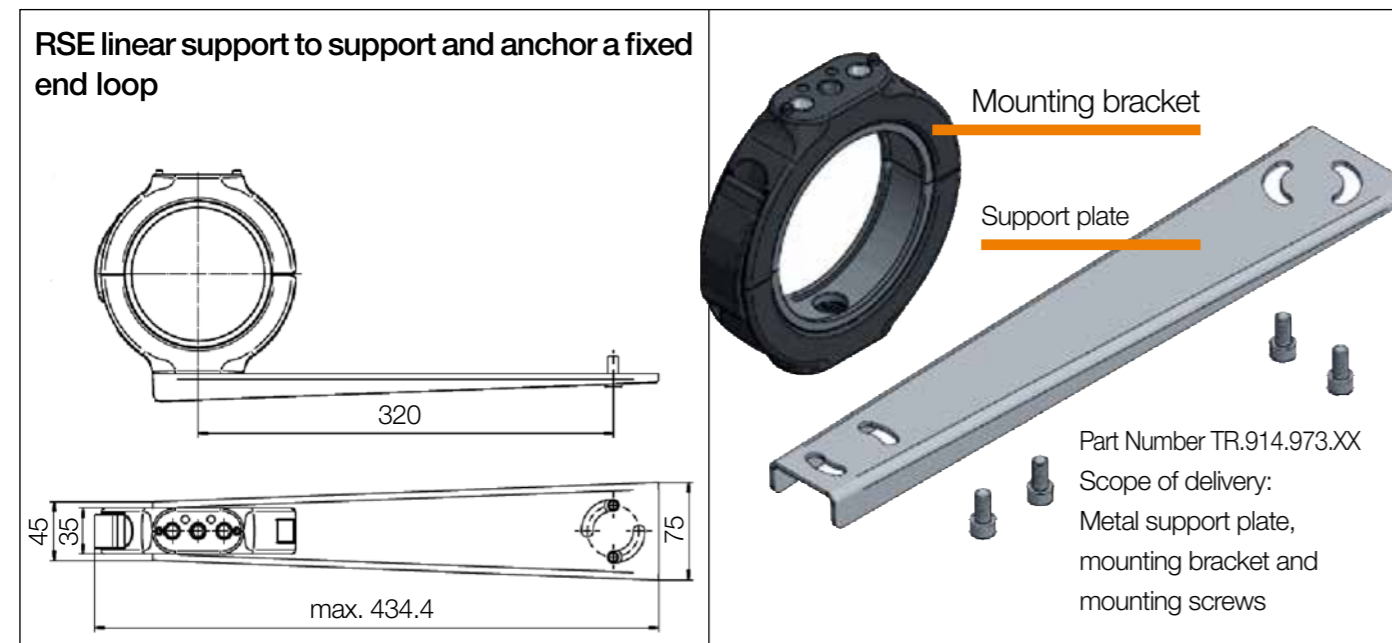
## Product range | RSE linear | For Ø index 60-100

Ø Index	Part No.	Retraction length <sup>1)</sup> ≤ [mm]	A [mm]	B [mm]	C [mm]	Weight [kg]	Part No.	Principle sketch
60.	▶ TR.RSE.60	490	868	134	231	9.9	TR.914.973.60	
65.	▶ TR.RSE.65	490	880	134	231	10.0	TR.914.973.65	
65. (R 200)	▶ TR.RSE.65.200	490	880	134	231	10.0	TR.919.991	
70.	▶ TR.RSE.70	490	878	155	258	10.0	TR.914.973.70	
85.	▶ TR.RSE.85	490	885	155	258	10.0	TR.914.973.85	For lateral
85. (R 240)	▶ TR.RSE.85.240	490	885	155	258	10.0	TR.919.220	deflection of
100.	▶ TR.RSE.100	490	886	170	264	10.2	TR.914.973.100	energy supply
125.	▶ -	-	-	-	-	-	-	

Please order matching triflex® R e-chain® separately. 1) Max. retraction length. Optional RSE support must be ordered separately.

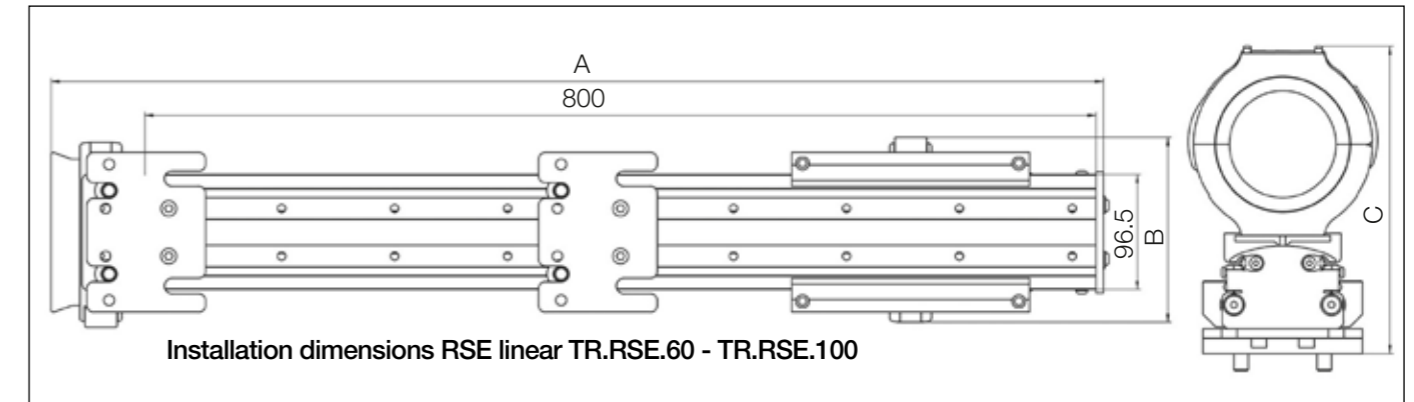
RSE linear for sizes TR.RSE.40, TR.RSE.50, TR.RSEC.60, TR.RSEC.65, TR.RSEC.65.200 ▶ From page 102

## Product range | RSE linear support, optional



# RSE linear retraction system

## Installation dimensions | For Ø index 60-100



## RSE linear retraction system

Mounting bracket and gliding feed-through are included.

Please order matching triflex® R e-chain® separately.





# RSE·RSEC linear e-chains®

## Product range



### Product range | Matching e-chains® for RSE·RSEC linear

Ø Index	Part No. TRC enclosed	Part No. TRE "easy" design	Part No. TRCF with snap-lock mechanism
30.	▶ -	-	-
40.	▶ TRC.40.058.0	TRE.40.058.0.B	-
50.	▶ TRC.50.080.0	TRE.50.080.0.B	-
60.	▶ TRC.60.087.0	TRE.60.087.0.B	-
65.	▶ -	-	TRCF.65.100.0
65. (R 200)	▶ -	-	TRCF.65.200.0
70.	▶ TRC.70.110.0	TRE.70.110.0.B	-
85.	▶ TRC.85.135.0	TRE.85.135.0.B	TRCF.85.135.0
85. (R 240)	▶ -	-	TRCF.85.240.0
100.	▶ TRC.100.145.0	TRE.100.145.0.B/C <sup>1)</sup>	TRCF.100.145.0
125.	▶ -	-	-

1) Available for B- and C-versions

Please note that all triflex® R e-chains® can be lengthened and shortened individually and can be customised to meet the needs of your application.

Please order e-chains® as piece parts and purchase a protector for each one.

### Product range | Matching protectors for RSE·RSEC linear

Ø Index	① Part No. Protector with screw fastener	② Part No. Protector with quick-lock fastener	Principle sketch protectors variants
30.	▶ -	-	
40.	▶ TR.40.10	TR.40.30	
50.	▶ TR.50.10	TR.50.30	
60.	▶ TR.60.10	TR.60.30	
65.	▶ TR.65.10	TR.65.30	
65. (R 200)	▶ -	-	
70.	▶ TR.70.10	TR.70.30	
85.	▶ TR.85.10	TR.85.30	
85. (R 240)	▶ TR.85.240.10	-	
100.	▶ TR.100.10	TR.100.30	
125.	▶ -	-	

Please order protectors with screw connections or quick release as limit protectors.

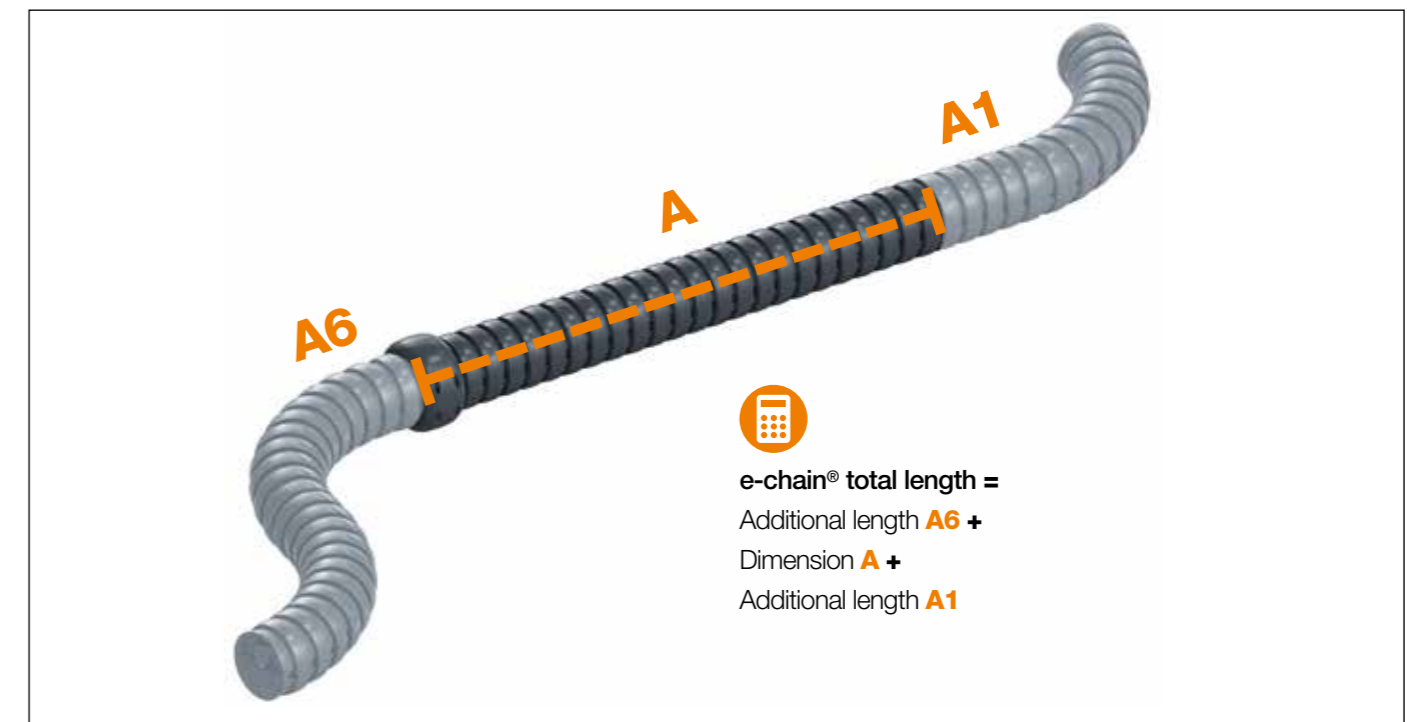
# RSE·RSEC linear e-chains®

## Cable length calculation

### Calculation of the e-chain® total length | RSE·RSEC linear e-chain®

Series	Ø Index	Bend radius R [mm]	Dimension A [mm]	Principle sketch e-chains® total length	Direction A1 excess length
RSE	30.	▶ -	-		
RSE	40.	▶ 058	390		
RSE	50.	▶ 080	390		
RSEC	60.	▶ 080	390		
RSE	60.	▶ 087	750		
RSE	65.	▶ 100	750		
RSE	65. (R 200)	▶ 200	750		
RSE	70.	▶ 110	750		
RSE	85.	▶ 135	750		
RSE	85. (R 240)	▶ 240	750		
RSE	100.	▶ 145	750		
RSE	125.	▶ -	-		

To calculate the e-chain® total length: please add the additional length **A1**, the additional length **A6** and the dimension **A**. Additionally, at least 1 limit protector must be ordered



### More information and installation height | RSE linear e-chains®

- TRC series - closed design, chip protection, smooth outer contour ▶ From page 28
- TRE series - "easy" design, very easy to fill, simply press cables in ▶ From page 30
- TRCF series - closed design with snap-lock mechanism, chip protection, smooth outer contour ▶ Page 32