



E2.1

The strong all-rounder, easy to open



Advantages of the E2.1 series:

- More useable interior space with inner heights of 26, 38 and 48mm while the outer height is the same as the E2/000 e-chains®
- Easy to open - openable along the inner and outer radius, from both sides (left or right)
- Greater strength for unsupported applications
- Longer service life for gliding applications
- Integrated grid for interior separation in 2.5mm steps
- Cable-friendly due to smooth interior
- Quiet operation due to integrated brake
- igus® e-chain® opener for rapid opening in seconds, available for series E2.38
- Complete interior separation range



When to use another e-chain® series:

- When a light, cost-effective e-chain®/e-tube with higher dynamics is needed ► **E4.1L, from page 538**
- When even higher strength is required
► **E4.1L, from page 538**
- For very simple applications with fast filling
► **easy chain®, from page 212**

Universal connection:
many mounting options
with or without strain relief

Easy to open:
openable along the inner
and outer radius, from
both sides (left or right)

Cable-friendly:
very smooth
contours ensure
the longest
cable life

Economical:
E2.1 is lighter and
offers more inner
height than the E2/000
system with the same
outer dimensions

Quiet operation:
integrated brake
reduces noise

Long service life:
due to integrated
gliding surfaces even
on long travels

High strength:
large pin/bore and
crossbar with high
locking force

The strong all-rounder, easy to open - E2.1

The proven e-chain system® E2/000 has been the worldwide standard in machinery since the year 2000. Continuous improvements over many years have now been combined in the new generation E2.1 and a new standard has been set. More usable filling space with the same outer dimensions and lower noise with increased service life and strength.

- More useable interior space while the outer height is the same as the E2/000 e-chains®
- Easy to open - openable along the inner and outer radius, from both sides (left or right)
- Quiet operation due to optimised brake
- Greater strength for unsupported applications
- Longer service life for gliding applications
- Integrated positional system 2.5mm
- Complete interior separation range

Typical industries and applications

- Machine tools ● Wood processing machines
- General mechanical engineering and all other areas



Open 1m e-chain® in 2 seconds. igus® e-chain® opener for rapid opening in seconds, available for Series E2.38

55dB(A) - value determined at the igus® test-lab, v = 2.0m/s unsupported, series E2.38.100.100.0

Series	Inner height <i>hi</i> [mm]	Inner width <i>Bi</i> [mm]	Outer width <i>Ba</i> [mm]	Outer height <i>ha</i> [mm]	Bend radius <i>R</i> [mm]	Unsupported length ≤ [m]	Page
--------	--------------------------------	-------------------------------	-------------------------------	--------------------------------	------------------------------	--------------------------	------



E2.1
crossbars openable along the inner radius, from both sides

E2i.26	26	25 - 103	42 - 120	35	048 - 250	2.25	356
E2i.38	38	50 - 150	67 - 167	50	063 - 250	2.75	362
E2i.48	48	75 - 150	97 - 172	64	075 - 300	3.00	368

More widths available upon request, please consult igus® for delivery time. Please consult igus® for delivery time.



E2.1
crossbars openable along the outer radius, from both sides

E2.26	26	25 - 103	42 - 120	35	048 - 250	2.25	356
E2.38	38	50 - 150	67 - 167	50	063 - 250	2.75	362
E2.48	48	75 - 150	97 - 172	64	075 - 300	3.00	368

More widths available upon request, please consult igus® for delivery time. Please consult igus® for delivery time.

Available from stock. Ready to ship in 24 - 48hrs.*

*Average time before the ordered goods are dispatched.



More useable filling space, quiet operation due to integrated brake - the new generation E2 e-chains®



Special brake in the stop-dogs reduces noise level by up to 3 dB(A)



Crossbar with integrated grid and openable from both ends - from the top or the side with a screwdriver



Separators are secure even when e-chain® is open



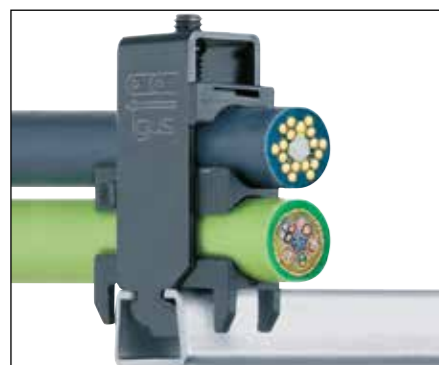
Plastic-metal mounting brackets for strong connection of the e-chain® to the machine, optionally available with C-profile



Integrated gliding surfaces ensure a long service life, even for long travels



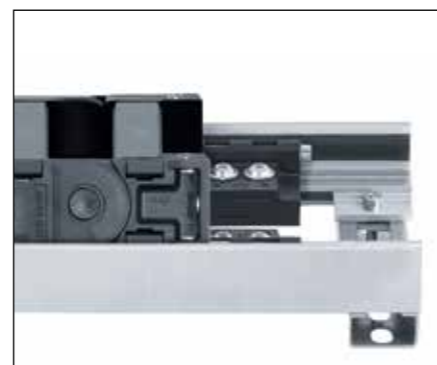
Lean separators enable extremely fast cable filling in several layers



Strain relief e.g. clamps, tie-wrap plates, nuggets, etc. ▶ From page 1392



Aluminium "SuperTrough" - the standard igus® guide trough ▶ From page 1298



Aluminium support tray for support of the lower run ▶ From page 1362

Technical data

	Speed gliding ¹⁾ / acceleration gliding ¹⁾	≤ 10 [m/s] / ≤ 50 [m/s ²]
	Speed FL_G / acceleration FL_G	≤ 20 [m/s] / ≤ 200 [m/s ²]
	Speed FL_B / acceleration FL_B	≤ 3 [m/s] / ≤ 6 [m/s ²]
	Material - permitted temperature °C, igumid G	-40°C / +120°C
	Flammability class, igumid G	VDE 0304 IIC UL94-HB

■ **FL_G** = unsupported with straight upper run ■ **FL_B** = unsupported with permitted sag
 1) For openable series along the inner radius in gliding applications, please consult igus®

Installation types, maximum travels

Series	Unsupported	Gliding ¹⁾	Vertical hanging	Vertical standing	Side mounted unsupported	Rotary	Zig-zag	Unsupported length lower run
E2i.26 / E2.26	≤ 4.25m	≤ 100m	≤ 40m	≤ 3.0m	≤ 1.0m	with rework	upon request	upon request
E2i.38 / E2.38	≤ 5.5m	≤ 120m	≤ 50m	≤ 3.0m	≤ 1.0m	with rework	upon request	upon request
E2i.48 / E2.48	≤ 6.0m	≤ 150m	≤ 80m	≤ 3.0m	≤ 1.0m	with rework	upon request	upon request

1) For openable series along the inner radius in gliding applications, please consult igus®

Reduce assembly time - E2.1 e-chain® opener

- igus® e-chain® opener for rapid opening in seconds
- Reduce opening times from 33 to 2 seconds
- Open a long e-chain® section in one go
- Part No. **EO.E2.38** available for series E2.38
- More information ▶ www.igus.eu/E2.1opener



Options with order keys | Examples based on series E2i.38/E2.38

Standard	Optional noise dampers	NC version - (No Camber) without pretension	Reverse Bend Radius (RBR) for circular movements
Part No. Standard	Part No. Low noise (with pads)	Part No. NC version	Part No. RBR
E2i.38.065.R.0 e-chain® openable along inner radius ¹⁾	ES2i.38.065.R.0 e-chain® openable along inner radius ¹⁾	E2i.38.065.R.0.NC e-chain® openable along inner radius ¹⁾	E2i.38.065.R1/R2.0 e-chain® openable along inner radius ¹⁾
E2.38.065.R.0 e-chain® openable along the outer radius	–	E2.38.065.R.0.NC e-chain® openable along the outer radius	E2.38.065.R1/R2.0 e-chain® openable along the outer radius
Ready to ship in 24 - 48hrs.*	Ready to ship in 12 business days*	Ready to ship in 3-5 business days*	Ready to ship in 12 business days*

³⁾ If an ESD-Version (Electro Static Discharge) from stock is required, please select a E2/000 system ► From page 374

Unsupported lengths +25% possible	ESD - electrically conductive material	Magnetically detectable plastic e-chains®
Part No. XXL material ²⁾	Part No. igumid ESD ³⁾	Part No. igumid DT
E2i.38.065.R.0.XXL e-chain® openable along inner radius ¹⁾	E2i.38.065.R.0.ESD e-chain® openable along inner radius ¹⁾	E2i.38.065.R.0.DT e-chain® openable along inner radius ¹⁾
E2.38.065.R.0.XXL e-chain® openable along the outer radius	E2.38.065.R.0.ESD e-chain® openable along the outer radius	E2.38.065.R.0.DT e-chain® openable along the outer radius
Delivery time upon request*	Ready to ship in 12 business days*	Ready to ship in 20 business days*

*Average time before the ordered goods are dispatched.

¹⁾ For openable series along the inner radius in gliding applications, please consult igus®

²⁾ Bottom part made from XXL material

Order example | Examples based on series E2.38

Order example for complete e-chain® (1.0m), colour black, with mounting brackets and interior separation:

e-chain® (1.0m)	Please indicate e-chain® length or number of links: 1.0m or 22 links	E2.38.065.100.0
+ Mounting brackets	1 set (with tiwrap plates)	2606.34PZB
Interior separation	with 2 separators assembled every 2 nd link	2 x 38.1.1
Order text:	1m E2.38.065.100.0 + 2606.34PZB + 2 x 38.1.1	

Order key and colour examples | Examples based on series E2i.38/E2.38

Order key

e-chains® openable along the inner radius	E2i.38.065.100.0
e-chains® openable along the outer radius	E2.28.065.100.0
Series / Type	
Inner height	
Width index (depends on B)	
Bend radius R	
Colour index (standard black)	

Order index for colour options

Colour	Order index	Colour	Order index
Black	Standard .0	Orange	Special colour .2
Silver-grey	Special colour .31	Yellow	Special colour .4
White	Special colour .1	Light grey	Special colour .14
Grey-white	Special colour .1S		

Black e-chains® ready to ship in 24 - 48hrs.*
Above special colours upon request.