

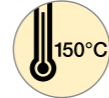
igidur® J



igidur® W300



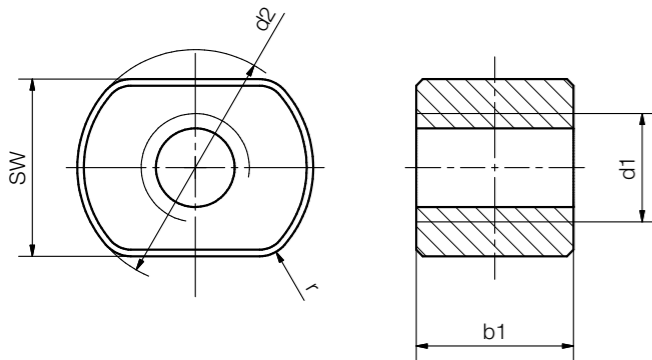
igidur® J350



igidur® R



igidur® A180



Technical data

Thread	Hand of rotation		Effective support surface [mm²]	Max. stat. axial F [N]				
	right	left		igidur®				
				J	W300	J350	R	A180
Tr10x2	●	●	283	1,131	1,414	848	565	990
Tr12x3	●	●	396	1,583	1,979	1,188	792	1,385
Tr16x4	●	●	528	2,111	2,639	1,583	1,056	1,847
Tr20x4	●	●	1,131	4,524	5,655	3,393	2,262	3,958
Tr24x5	●	●	1,621	6,484	8,105	4,863	3,242	5,674
Tr30x6	●	●	2,545	10,179	12,723	7,634	5,089	8,906

Order key

Type SW d2 b1 Thread

□ S R M-17 22 20 TR 10X2

igidur® material	Form S	Hand of rotation	Metric	Width across flats	Outer Ø [mm]	Length [mm]	Trapezoidal thread	Diameter [mm]	Pitch
------------------	--------	------------------	--------	--------------------	--------------	-------------	--------------------	---------------	-------

Options:
Hand of rotation
R: Right-hand thread
L: Left-hand thread

- J** High efficiency at all speeds
- W(300)** Extremely strong and wear-resistant
- J350** For temperatures up to +150°C
- R** The cost-effective option for high volume
- A180** FDA-compliant for the food and pharmaceutical industries

Dimensions [mm]

d1 ¹⁵⁶⁾	d2 ¹⁵⁶⁾	b1 ¹⁵⁶⁾	SW	Weight [g]					Part No.
				igidur®					
				J	W300	J350	R	A180	
10	22	20	17	4.7	3.9	4.5	4.4	4.6	□S□M-172220TR10X2
12	26	24	19	10.9	9.1	10.5	10.2	10.7	□S□M-192624TR12X3
16	36	24	27	22.0	18.3	21.3	20.5	21.6	□S□M-273624TR16X4
20	45	40	30	57.3	47.7	55.4	53.5	56.2	□S□M-304540TR20X4
24	50	48	36	75.7	63.0	73.2	70.6	74.2	□S□M-365048TR24X5
30	60	60	45	126.4	105.2	123.8	122.1	117.9	□S□M-456060TR30X6

¹⁵⁶⁾ Tolerances according to DIN ISO 2768-1, tolerance class m (medium)