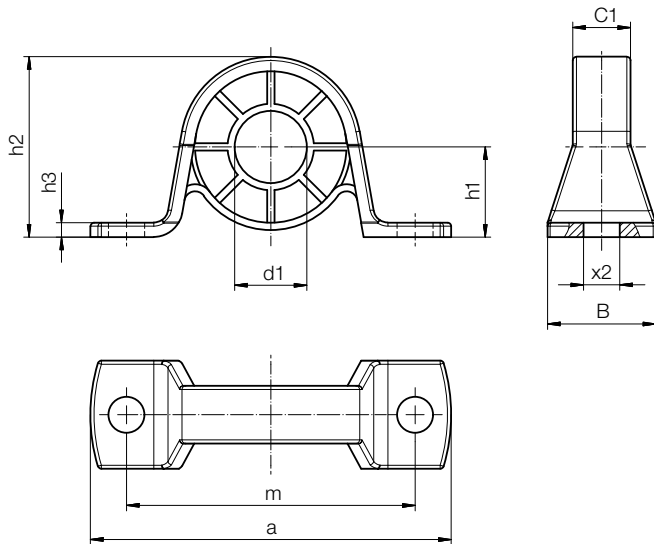


igubal® pillow block bearings | Product Range

Pillow block bearings with cost-effective metallic housing: PP-JEM-SP



- Self-lubricating and maintenance-free
- Cost-effective
- Resistant to dirt
- Cost-effective spherical ball material iglide® J4 available (order example: PP204-J4EM-20-14-SP)



Order key

Type	Size	Version
PP204- J E M- 20 - 14 - SP		
Pillow block bearing	Spherical ball material	Dimensional series
	Metric	Spherical ball inner Ø
		Spherical ball width
		Injection molding



Material:
Housing: Galvanized steel
 (stainless steel upon request)
Spherical ball: iglide® J ▶
 (alternative iglide® J4) ▶



Dimensions [mm]

Part No.	d1	h1	h2	h3	a	m	C1	B	x2
	E10								
PP204-JEM-20-14-SP	20	25.4	50.5	3	98	76	22.0	32	9.5
PP205-JEM-25-15-SP	25	28.6	56.6	4	108	86	24.0	32	11.5
PP206-JEM-30-16-SP	30	33.3	66.3	4	117	95	26.5	38	11.5

Can be combined with SRM fixing collars, ▶ Page 986

Technical data

Part No.	Max. static radial tensile strain		Max. static axial compressive force		Weight [g]
	Short-term	Long-term	Short-term	Long-term	
	[lbs]	[lbs]	[lbs]	[lbs]	
PP204-JEM-20-14-SP	674.0	337.0	224.5	112.40	121
PP205-JEM-25-15-SP	1124.0	562.0	404.5	202.32	154
PP206-JEM-30-16-SP	1348.5	674.0	404.5	202.32	206