

igubal® pillow block bearings | Product Range

Split pillow block bearings for square profiles: ESQM

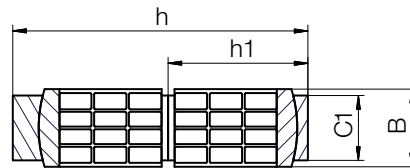
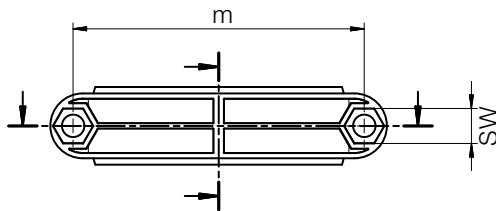


- Profile 100 x 100mm, 110 x 110mm or 120 x 120mm
- Split version of housing and spherical balls
- Easy assembly and disassembly
- High loads
- Lightweight
- Compensation of misalignment errors
- Mounting: M16 screw
- Recommended tightening torque: 50Nm

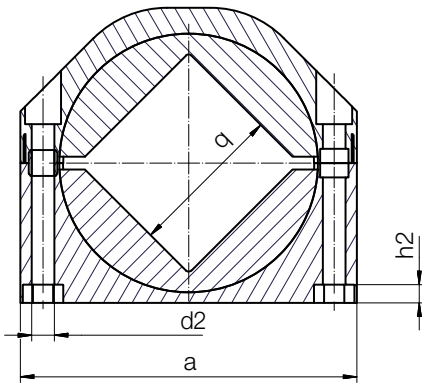


Order key

Type	Size
E SQ M-110	
E series	
Pillow block bearing for square profiles	
Metric	
	Edge length



Material:
Housing: igumid G
Spherical ball: iglide® J4



Dimensions [mm]

Part No.	q +1	SW	d2	h	h1	h2	a	m	B	C1	Weight [g]
ESQM-100	100.5	24	17.5	228	108	13.6	260	225	60	50	1,295
ESQM-110	110.5	24	17.5	228	108	13.6	260	225	60	50	1,255
ESQM-120	120.0	24	17.5	228	108	13.6	260	225	60	50	1,210
ESQM-140	140.0	24	17.5	266	130	15.0	307	269	60	50	1,672
ESQM-150	150.0	24	17.5	266	130	15.0	307	268	60	50	1,620