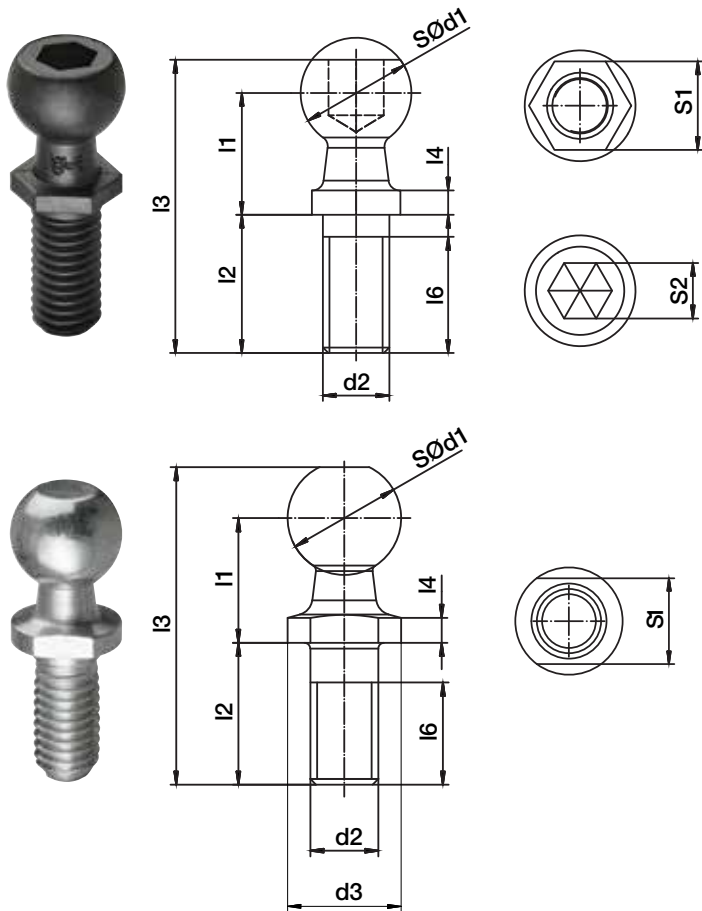


Ball studs with male thread



Order key

| Type | Size | Options |
|------|------|---------|
|------|------|---------|

GZ R M - 05 - MS

| | | | |
|--------------|------------------|--------|------------------|
| Threaded pin | Thread direction | Metric | Thread size M... |
|--------------|------------------|--------|------------------|

Options:

Thread

R = Right-hand thread

L = Left-hand thread

(upon request)

Add-on:

Blank = Plastic

MS = Galvanized steel

ES = Stainless steel

(upon request)



Material:

Plastic: igumid G ► Galvanized and stainless steel (AISI 303)

- Easy to fit
- DIN connection size
- Corrosion-free

Dimensions [mm] – ball studs made from plastic

| Part No. | d1 ±0.1 | d2 | l1 | l2 | l3 | l4 ±0.2 | l6 | S1 | S2 | Weight [g] |
|----------|------------|-----|----|------|------|------------|------|------|----|---------------|
| GZRM-05 | 8 | M5 | 9 | 10.2 | 21.7 | 2.0 | 8.2 | SW7 | 4 | 1 |
| GZRM-06 | 10 | M6 | 11 | 12.5 | 26.5 | 2.2 | 10.5 | SW8 | 5 | 1 |
| GZRM-08 | 13 | M8 | 13 | 16.5 | 33.5 | 2.4 | 13.5 | SW11 | 6 | 3 |
| GZRM-10 | 16 | M10 | 16 | 20.0 | 40.5 | 2.7 | 16.0 | SW13 | 8 | 6 |

Dimensions [mm] – ball studs made of galvanized and stainless steel

| Part No. | d1 h9 | d2 | d3 h14 | l1 ±0.3 | l2 ±0.3 | l3 ±0.3 | l4 ±0.4 | l6 Min. | S1 h14 | Weight [g] |
|----------------------------|----------|-----|-----------|------------|------------|------------|------------|------------|-----------|---------------|
| GZRM-05-MS ¹¹⁵⁾ | 8 | M5 | 8 | 9 | 10.2 | 22.7 | 2.0 | 6.2 | SW7 | 4.5 |
| GZRM-06-MS ¹¹⁵⁾ | 10 | M6 | 10 | 11 | 12.5 | 28.0 | 2.2 | 8.5 | SW8 | 8.5 |
| GZRM-08-MS ¹¹⁵⁾ | 13 | M8 | 13 | 13 | 16.5 | 35.0 | 2.4 | 11.2 | SW11 | 17.7 |
| GZRM-10-MS ¹¹⁵⁾ | 16 | M10 | 16 | 16 | 20.0 | 43.0 | 2.7 | 12.7 | SW13 | 35.1 |

¹¹⁵⁾ For the stainless steel version please replace the suffix MS by ES

Can be combined with:



WGR(L)M



WGR(L)M LC



WGR(L)M-DE



GFSM-IG



ZCLM-06-10



WDGM



WDGM-DE