

## Ball studs with female thread



- Easy to fit
- DIN connection size
- Corrosion-free

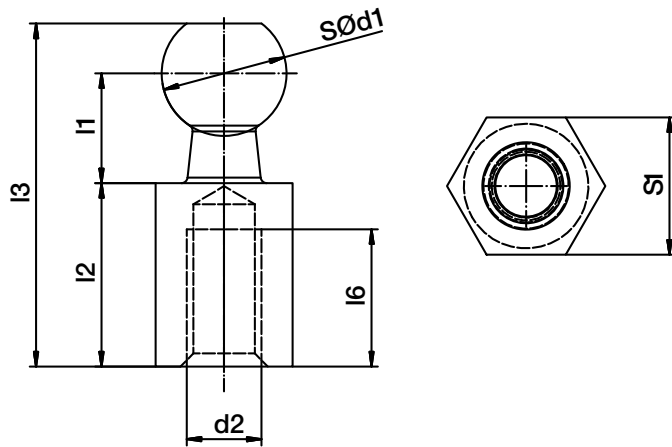


### Order key

Type	Size	Version	Options
<b>GZ R M - 05 - IG - ES</b>			
Threaded pin	Thread direction	Metric	Thread size M...
			Female thread

Options:  
Thread direction  
R = Right-hand thread  
L = Left-hand thread  
(upon request)

Add-on:  
Blank = Galvanized steel  
ES = Stainless steel<sup>28)</sup>



**Material:**  
Galvanized and stainless steel (AISI 303)

### Dimensions [mm]

Part No.	d1	d2	l1	l2	l6	l3	S1	Weight
	-0.05							[g]
GZRM-05-IG	8	M5	7.0	12.2	9	22.7	SW10	10
GZRM-06-IG	10	M6	8.8	14.7	11	27.5	SW11	15
GZRM-08-IG	13	M8	10.8	18.7	12	35.2	SW14	30
GZRM-10-IG	16	M10	13.3	22.7	16	43.0	SW17	55

<sup>28)</sup> Stainless steel ball stud upon request

Can be combined with:



WGR(L)M



WGR(L)M LC



WGR(L)M-DE



GFMSM-IG



ZCLM-06-10



WDGM



WDGM-DE