

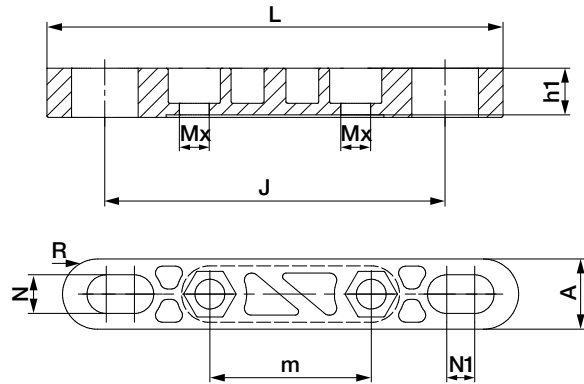
igubal® accessories | Product Range

Adapters for dimensional E series pillow block bearings

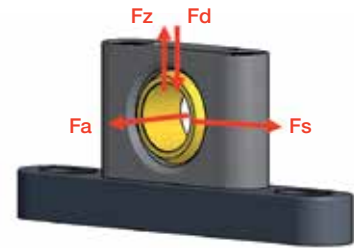


Order key

Type	Size
AD-01 - E ST M - 20	
Adapter	E series
	Pillow block bearings
	Metric
	Inner Ø



- Same dimensions as metallic pillow block bearings
- For pillow block bearings of dimensional E series (ESTM, ESTM-GT)
- Chemical and corrosion-resistant
- Fits directly
- Space-saving
- Lightweight
- Same screws as traditional metallic versions



Dimensions [mm]

Part No.	for ESTM-...	L	A	R	J	h1	N	N1	m	Mx
AD-01-ESTM-20 ²⁶⁾	ESTM-20	130	20	10.0	97	13.3	11	8	46	M8
AD-01-ESTM-25 ²⁷⁾	ESTM-25	130	20	10.0	102	12.5	11	9	54	M8
AD-01-ESTM-30 ²⁷⁾	ESTM-30	158	25	12.5	118	14.9	14	10	64	M10

Technical data

Part No.	Max. radial tensile force [Fz]		Max. radial compressive strength [Fd]		Max. lateral strength [Fs]		Max. axial strength [Fa]		Weight [lbs]
							(tensile/compressive)		
	Short-term [lbs]	Long-term [lbs]	Short-term [lbs]	Long-term [lbs]	Short-term [lbs]	Long-term [lbs]	Short-term [lbs]	Long-term [lbs]	
AD-01-ESTM-20 ²⁶⁾	337.20	269.76	134.88	1124.00	75.80	60.64	30.32	134.88	29.8
AD-01-ESTM-25 ²⁷⁾	337.20	269.76	134.88	1124.00	75.80	60.64	30.32	134.88	74.0
AD-01-ESTM-30 ²⁷⁾	337.20	269.76	134.88	1124.00	75.80	60.64	30.32	134.88	124.0

²⁶⁾ Material: plastic (igumid G)

²⁷⁾ Material: aluminum

Can be combined with:



ESTM



ESTM-GT-GT



ESTM-GT