

Fixing collar with threaded pin

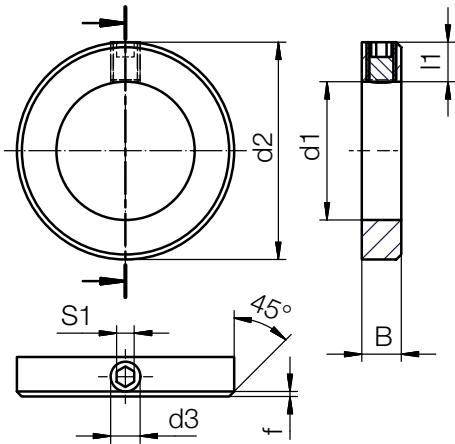


- Easy to fit
- DIN 705 (lightweight series)
- Incl. DIN 914 threaded pin (Allen key)



Order key

Type	Size	Version
SR M - S	20 -	V
Fixing collar	Metric	without thread
	Shaft diameter	Pre-assembled (screw)



Material:

Galvanized steel (stainless steel upon request)

Dimensions [mm]

Part No.	d1	d2	B	f	d3	l1	S1	Weight [g]
SRM-S20-V	20	32	14	1.4	M6	6	SW3	53.0
SRM-S25-V	25	40	16	1.6	M8	8	SW4	95.6
SRM-S30-V	30	45	16	1.6	M8	8	SW4	111.0
SRM-S35-V	35	56	16	1.8	M8	10	SW4	187.0

