

igubal® fixed flange bearings | Product Range

Fixed flange bearings with cost-effective metallic housing: PFL-JEM-SP



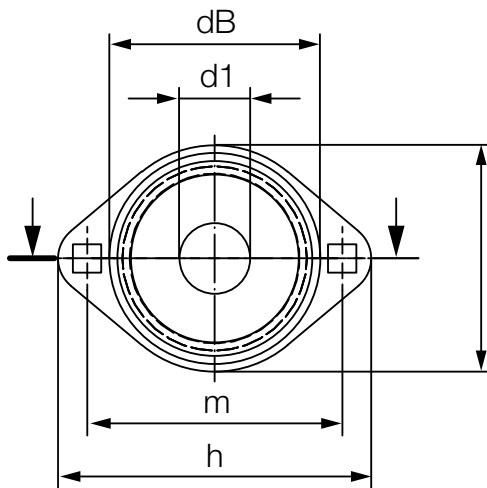
Order key

Type	Size	Version
------	------	---------

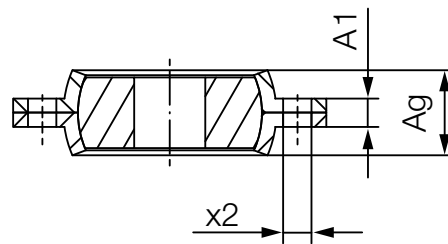
PFL204 - J E M - 20 - 14 - SP

Fixed flange bearing	Spherical ball material	Series	Metric	Spherical ball inner Ø	Spherical ball width	Injection molding
----------------------	-------------------------	--------	--------	------------------------	----------------------	-------------------

- Cost-effective spherical ball material iglide® J4 available (order example: PFL204-J4EM-20-14-SP)
- Self-lubricating and maintenance-free
- Cost-effective
- Resistant to dirt



Material:
Housing: Galvanized steel
(stainless steel upon request)
Spherical ball: iglide® J ▶
(alternative iglide® J4) ▶



Dimensions [mm]

Part No.	d1	h	L	m	a1	Ag	x2
	E10				+0.1		
PFL204-JEM-20-14-SP	20	90	67	71.5	M6	16	9
PFL205-JEM-25-15-SP	25	95	71	76.0	M8	18	9
PFL206-JEM-30-16-SP	30	113	82	90.5	M8	19	11

Technical data

Part No.	Max. permissible axial load		Max. permissible radial load		Weight [g]
	Short-term	Long-term	Short-term	Long-term	
	[lbs]	[lbs]	[lbs]	[lbs]	
PFL204-JEM-20-14-SP	449.60	224.80	899.20	449.60	121.0
PFL205-JEM-25-15-SP	449.60	224.80	1124.00	562.00	144.0
PFL206-JEM-30-16-SP	449.60	224.80	1573.60	786.80	216.0

Can be combined with SRM fixing collars, ▶