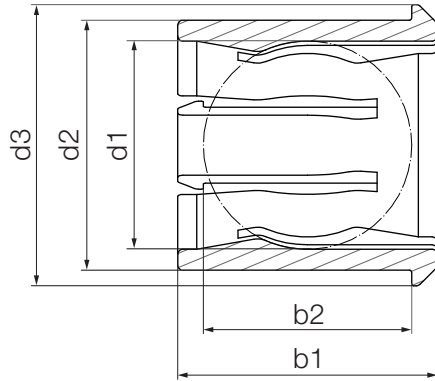


## ZCLM - Ball stud clip bearing



- Connection for rotating and pivoting movements
- Easy and quick assembly
- Absolute corrosion resistance
- Self-lubricating and maintenance-free
- Lightweight
- Resistance to chemicals
- Ball studs made from galvanized steel or stainless steel<sup>28)</sup>
- ▶ Accessories,

### Order key

Type	Size [mm]	Options
------	-----------	---------

**Z CL M - 06 - 10 - MS**

Can be assembled on both sides

Clip bearings

Metric

Ball stud M6

Metal sheet thickness

Ball stud<sup>19)</sup>  
MS = Made of galvanized steel  
ES = Made of stainless steel<sup>28)</sup>  
Blank = without ball stud

**i** Material:  
Clip bearing: iglide® J ▶

### Dimensions [mm]

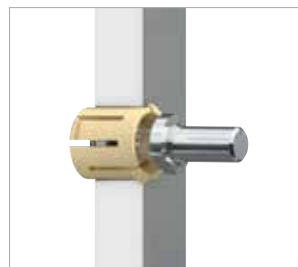
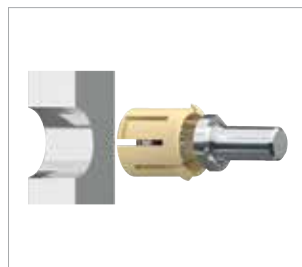
Part No.	d1	d2	d3	b1	b2	Weight [g]
ZCLM-06-10-MS	10	12	13.5	12.5	10	0.6

<sup>19)</sup> Ball stud with right-hand thread; left-hand thread upon request

<sup>28)</sup> Stainless steel ball stud upon request

More dimensions upon request

### Assembly:



Can be combined with accessories ▶



GZRM-IG:

954 Lifetime calculation, configuration and more ▶ [www.igus.g/igubal-pressfit](http://www.igus.g/igubal-pressfit)