

igubal® spherical bearings | Product Range

WDGM-DE - Variable coupling joints, removable



Version A Version B Version C Version D



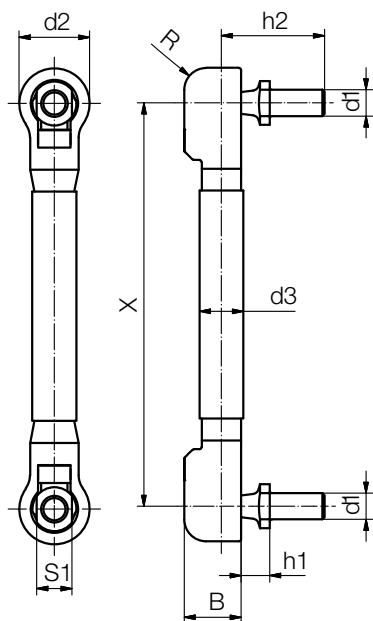
Order key

| Type | Size [mm] | Options |
|--------------|-------------------------|---|
| W | DG | M-06 - A - ER - SZ - DE |
| Angle | Double joint | Metric |
| | Ball stud thread | Ball stud direction (A, B, C or D) |
| | Tube material | Ball stud material |
| | Disassembly | |

Options:
 Tube material
 ER = Stainless steel (AISI 303)
 Ball stud material
 SZ = Galvanized steel
 EZ = Stainless steel²⁸⁾
 PZ = igumid G



Material:
 Housing: igumid G ▶



- Socket cup M6
- Individual center distance
- Individual alignment of the bearing position
- Easy assembly and disassembly
- High holding forces when assembled

Assembly:



Dimensions [mm]

| Part No. | d1 | d2 | d3 | X | B | h1 | h2 | S1 | R | Max. pivot angle |
|--|----|----|----|------|----|-----|------|--------------------|---|------------------|
| | | | | Min. | | | | Width across flats | | |
| WDGM-06-A-ER-SZ-DE <input type="text"/> ³²⁾ | M6 | 16 | 10 | 100 | 13 | 6.5 | 23.5 | SW8 | 5 | 23° |

²⁸⁾ Stainless steel ball stud upon request

³²⁾ Please add the required center distance in mm



Order example, WDGM-06-A-ER-SZ-DE, 150 : Removable coupling joint with 6mm ball stud thread, version A, tube material made of stainless steel, ball stud made of steel, center distance 150mm

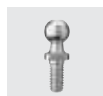
Can be combined with accessories ▶



GZRM-IG



GZRM



GZRM-MS /GZRM-ES