

Closed and chip-resistant - TRC

TRC - enclosed, chip-repelling design

High tensile strength thanks to special ball-and-socket design

Defined torsion stop, allows free movement in multiple directions but still protects the cables

Impact-resistant, abrasion resistant and dirt resistant

Easy lengthening and shortening

High strength - thanks to external stop-dogs

Small bend radii and short pitch

Easy attachment and special accessories for the robot or machine

- Secure, closed and chip-resistant energy supply for multi-axis movements
- Smooth but robust outer contours
- High torsional stability
- Easy to lengthen and shorten

Typical industries and applications

- Robotics and automation
- Multi-axis machine tools
- Wet and cold cells
- Painting applications and ESD
- Sand and dust exposure



Electrically conductive ESD/ATEX versions several series available from stock



iF product design award

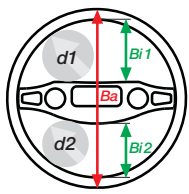
2004 igus® series TRC

2004



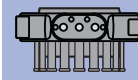
Available from stock. **Delivery time*** from 24hrs or today!

*Delivery time means time until shipping of goods (after technical release)



triflex® R | Series TRC | Product range

Robotic applications, closed, chip-resistant



TRC

▶ 746



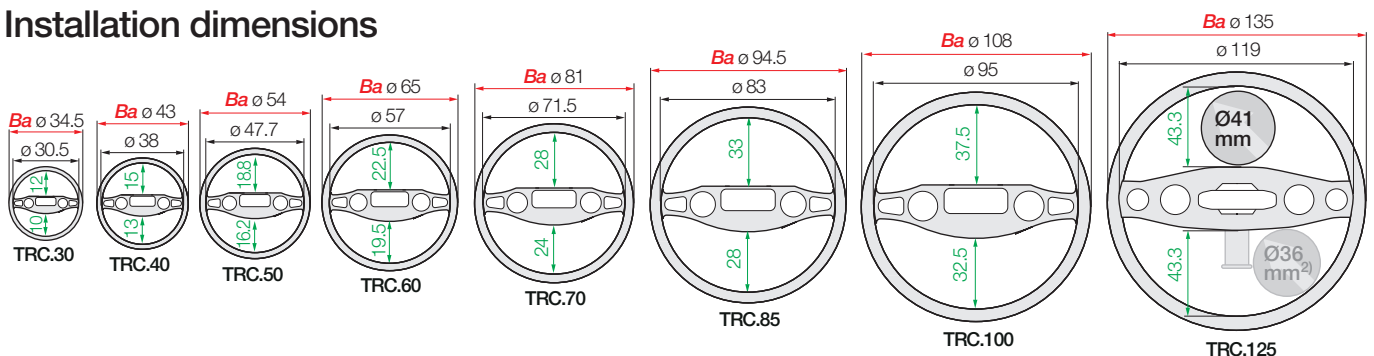
e-tubes | Series TRC | Totally enclosed, non-openable

Part No.	<i>Bi1</i>	<i>Bi2</i>	<i>Ba</i>	<i>R</i>	<i>d1</i>	<i>d2</i>	Pitch	Links/	TRC
e-tubes	[mm]	[mm]	[mm]	[mm]	[mm]	[mm]	[mm]	[m]	[kg/m]
TRC. 30. 050 .0	12	10	34.5	050	10	8	11.3	89	≈ 0.27
TRC. 40. 058 .0 ¹⁾	15	13	43	058	13	11	13.9	72	≈ 0.37
TRC. 50. 080 .0	18.8	16.2	54	080	16.5	14	17.4	58	≈ 0.59
TRC. 60. 087 .0 ¹⁾	22.5	19.5	65	087	20.5	17.5	20.4	49	≈ 0.85
TRC. 70. 110 .0 ¹⁾	28	24	81	110	26	22	25.6	39	≈ 1.32
TRC. 85. 135 .0	33	28	94.5	135	31	26	30.6	33	≈ 1.75
TRC. 100. 145 .0	37.5	32.5	108	145	35.5	30.5	34.5	29	≈ 2.38
TRC. 125. 182 .0	43.3	43.3	135	182	41	41 ²⁾	44.6	23	≈ 4.70

1) ▲ Available as ESD-Version from stock

2) TRE 125 max. cable diameter Ø 41 mm. Max. cable diameter changes to Ø 36 mm when an already populated e-chain needs to be shortened or lengthened

Installation dimensions



ESD/ATEX e-chains® - many sizes from stock

- ESD material tested with over 10 million cycles for the most demanding applications
 - Standardised product - igumid ESD with PTB certificate
 - Short delivery times including mounting brackets and interior separation; 24hrs, from stock
- More information ▶ www.igus.eu/esd

