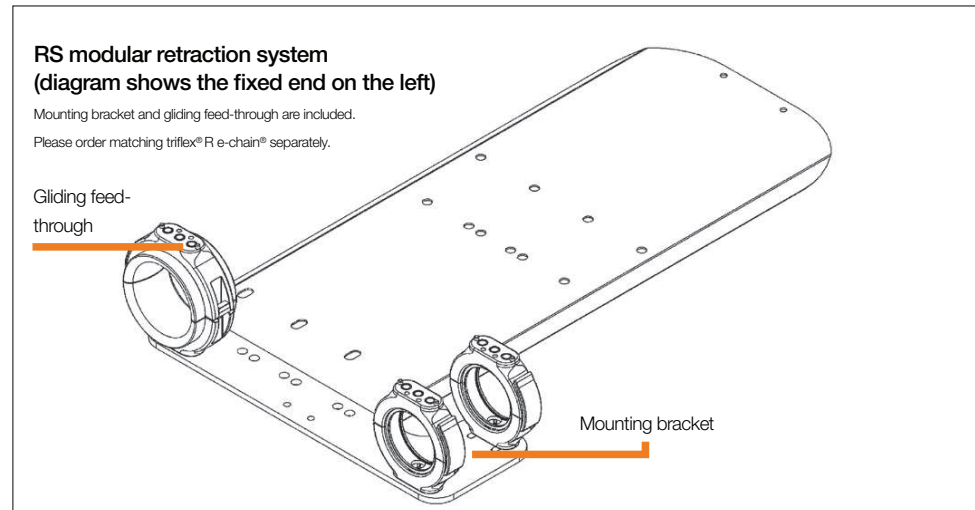
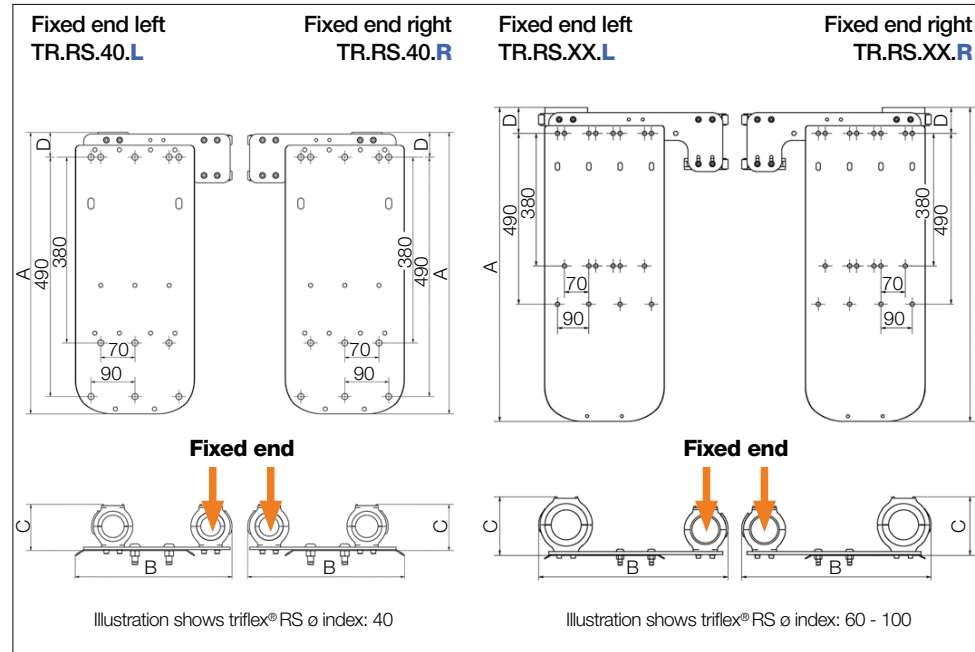


RS Retraction system

Modular retraction system

Installation height | RS modular retraction system



Product range

RS - R(etraction) S(ystem)

Product range | RS modular retraction system

Ø Index	Part No. fixed end left	Part No. fixed end right	Retraction length ¹⁾ ≤ [mm]	A [mm]	B [mm]	C [mm]	D [mm]	Weight [kg]
30.	▶ -	-	-	-	-	-	-	-
40.	▶ TR.RS.40.L	TR.RS.40.R	460	576	301	95	51	3.5
50.	▶ -	-	-	-	-	-	-	-
60.	▶ TR.RS.60.L	TR.RS.60.R	550	900	528	150	65	8.7
65.	▶ -	-	-	-	-	-	-	-
70.	▶ TR.RS.70.L	TR.RS.70.R	620	900	545	167	65	9.2
85.	▶ TR.RS.85.L	TR.RS.85.R	670	900	565	167	65	9.5
85. (R 240)	▶ -	-	-	-	-	-	-	-
100.	▶ TR.RS.100.L	TR.RS.100.R	580	938	614	167	108	11.5
125.	▶ -	-	-	-	-	-	-	-

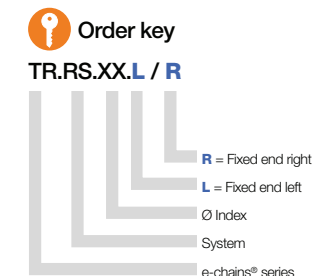
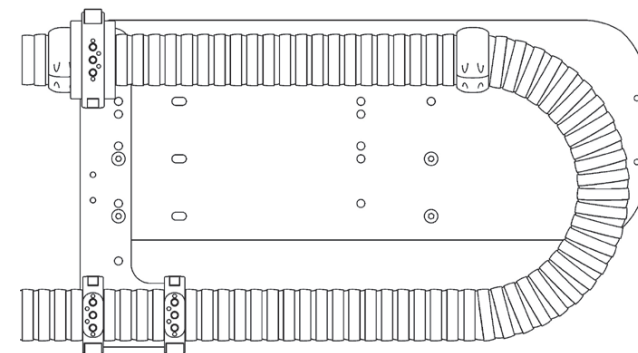
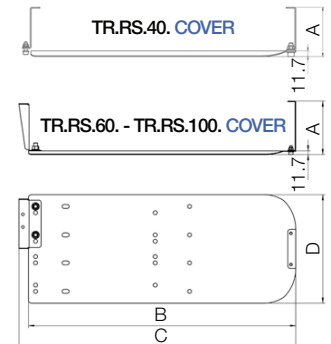
¹⁾ These are the maximum values. In normal operation a filling of no more than 70% is advised.

Please order matching triflex® R e-chain® separately.

Product range | Cover, optional

Ø Index	Optional cover retrofit kit	A [mm]	B [mm]	C [mm]	D [mm]	Load* ≤ [kg]	Weight [kg]
30.	▶ -	-	-	-	-	-	-
40.	▶ TR.RS.40.COVER	101.7	550	567.5	244.6	1.5	2.3
50.	▶ -	-	-	-	-	-	-
60.	▶ TR.RS.60.COVER	170.7	850	880	344.6	3.5	5.2
65.	▶ -	-	-	-	-	-	-
70.	▶ TR.RS.70.COVER	170.7	850	880	344.6	3.5	5.2
85.	▶ TR.RS.85.COVER	170.7	850	880	344.6	3.5	5.2
85. (R 240)	▶ -	-	-	-	-	-	-
100.	▶ TR.RS.100.COVER	172	853	910.5	397.6	3.5	5.5
125.	▶ -	-	-	-	-	-	-

*Maximum fill weight to be used with the cover



RS Accessories

RS retraction system and matching e-chain®

System design | RSP and matching e-chains®

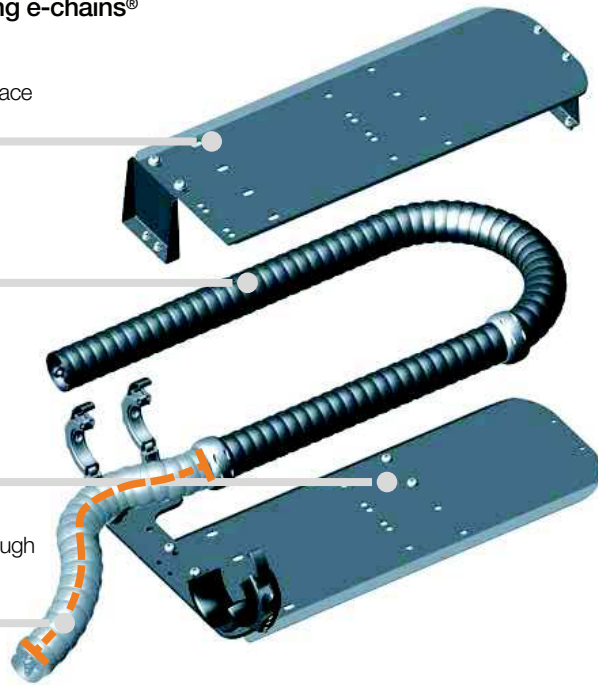
Optional cover for additional installation space on the robot: **TR.RS.XX.COVER**

Matching triflex® R e-chains® for RS with integrated fibre-rods
TRC.RS.XX.R.LLLLL.0
TRE.RS.XX.R.LLLLL.0.B



RS-system (without e-chain®) +
 Support plate +
 Mounting bracket +
 Gliding feed-through =
TR.RS.XX.L or **TR.RS.XX.R**

Overall length =
 additional length from the gliding feed-through
LLLL +
 the e-chain® length within the system



Sample order of a complete TR.RS system, Ø-Index 60, fixed end on the left, including cover and e-chain® (standard length: 500 mm)

System	Insert Ø index XX / select fixed end .L / .R	TR.RS.60.L
+ Cover	Insert Ø index XX / Insert Ø index XX (cover optional)	TR.RS.60.COVER
+ e-chain®	Insert Ø-index XX / Insert bend radius R / Insert standard length LLLL	TRC.RS.60.087.500.0
Order text:	TR.RS.60.L + TR.RS.60.COVER + TRC.RS.60.087.500.0	



Order key e-chains®

TRC.RS.XX.R.LLLLL.0
TRE.RS.XX.R.LLLLL.0.B



Product range

e-chain® and cable length calculation

Product range | Matching e-chains® for RS

Ø Index	Part No. TRC enclosed	Part No. TRE "easy" design
30.	–	–
40.	TRC.RS.40.058.LLLLL.0	TRE.RS.40.058.LLLLL.0.B
50.	–	–
60.	TRC.RS.60.087.LLLLL.0	TRE.RS.60.087.LLLLL.0.B
65.	–	–
70.	TRC.RS.70.110.LLLLL.0	TRE.RS.70.110.LLLLL.0.B
85.	TRC.RS.85.135.LLLLL.0	TRE.RS.85.135.LLLLL.0.B
85. (R 240)	–	–
100.	TRC.RS.100.145.LLLLL.0	TRE.RS.100.145.LLLLL.0.B/C
125.	–	–

1) Available for B- and C-versions

*Standard lengths from the gliding feed-through outside the system - special lengths upon request.

e-chains® standard lengths*

LLLL [mm] | **500** | **1000** | **1500** | **2000** |

Part No. with desired value for the standard length **LLLL** (measured from the gliding feed-through) corresponds to the robot arm length from axis 3. Supplement to **TRC.RS.60.087.500.0**, for example

Calculating the overall e-chain® length | RS e-chains®

Ø Index	Bend radius R [mm]	e-chain® length* [mm]	Number of e-chain® links	Total e-chain® length [mm]
30.	–	–	–	–
40.	058	1251	90	LLLL + 1251
50.	–	–	–	–
60.	087	1734	85	LLLL + 1734
65.	–	–	–	–
70.	110	1994	74	LLLL + 1994
85.	135	2080	68	LLLL + 2080
85. (R 240)	–	–	–	–
100.	145	2105	61	LLLL + 2105
125.	–	–	–	–

*Values are related to the e-chain® length within the system

Please add the e-chain® length within the system to the standard length **LLLL** (measured from the gliding feed-through) to get the **overall e-chain® length**