

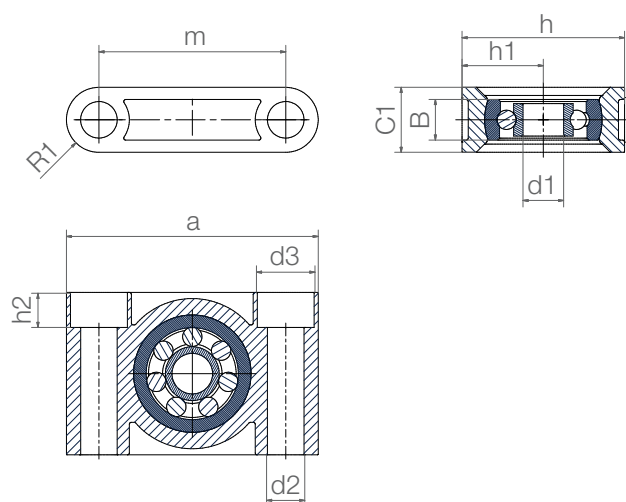
## Pivoting version



igumid G housing,  
PA cage, stainless  
steel balls

igumid G housing,  
PA cage,  
Glass balls

- Compensation of misalignment errors



### Order key

Type	Material
------	----------

**ESTM-BB1-P 08-B180-ES**

Pillow block bearing	Ball bearing, single row	Pivoting version	Inner Ø	Race material	Ball material
----------------------	--------------------------	------------------	---------	---------------	---------------

#### Race material

**B180** = xirodur® B180

Options:

**Ball material**

**ES** = Stainless steel

**GL** = Glass

## Technical data

Type	Radial load capacity		Max. speed [rpm]	Weight	
	stat. [N]	dyn. [N]		B180/ES [g]	B180/GL [g]
ESTM-P08	80	94	2,200	19.6	18.2
ESTM-P10	110	130	1,900	32.9	30.3
ESTM-P12	130	147	1,750	54.8	52.8

## Dimensions [mm]

Inner Ø d1	Hole Ø d2	d3	h	h1	h2	a	m	C1	B	R1	Max. pivot angle	Part No.
8	6.6	10.6	34	17	6.4	50	37	13	8	6.5	±5°	ESTM-BB1-P08-B180- <input type="checkbox"/>
10	9.0	14.0	40	20	8.6	62	46	16	10	8	±5°	ESTM-BB1-P10-B180- <input type="checkbox"/>
12	9.0	14.0	48	24	8.6	72	54	18	12	9	±5°	ESTM-BB1-P12-B180- <input type="checkbox"/>



#### Order example:

**ESTM-BB1-P08-B180-ES** = Pillow block bearing, pivoting version, made from xirodur® B180 with stainless steel balls



Available  
from stock