

xiros® fixed flange ball bearings | Product range

xiros®

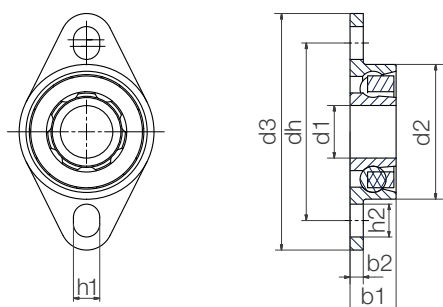
FDA-compliant, fixed version

FDA



xirodur® B180 cage
Stainless steel balls

● For less precise holding fixtures



Order key

Type	Material
------	----------

BB-FL-608-B180-30-ES

Ball bearings	Fixed flange ball bearing	Dimensions according to DIN 625-1	Housing material	Cage material	Ball material
---------------	---------------------------	-----------------------------------	------------------	---------------	---------------

Cage material

30 = xirodur® B180

Ball material

ES = Stainless steel

Technical data

Installation size	Radial load capacity		Max. speed [rpm]	Weight B180/ES [g]
	stat. [N]	dyn. [N]		
626	60	62	3,200	2.89
608	80	92	2,200	3.65
6000	110	130	2,200	6.49
6001	130	147	2,000	7.68
6003	160	220	1,600	11.13
6004	250	320	1,400	25.06

Dimensions [mm]

d1	d2	d3	b1	b2	dh	h1	h2	Part No.
6	19	33.5	6	2	25	3	4.5	BB-FL-626-B180-30-ES
8	20.7	35.8	7	2	26.8	4	5	BB-FL-608-B180-30-ES
10	26	41	8	2	32	4	5	BB-FL-6000-B180-30-ES
12	28	44	8	2	35	4	5	BB-FL-6001-B180-30-ES
17	35	54	10	2.5	44	4	6	BB-FL-6003-B180-30-ES
20	42	84	12	4	63	8	12	BB-FL-6004-B180-30-ES



Order example:

BB-FL-608-B180-30-ES = Fixed flange ball bearing with xirodur® B180 housing, xirodur® B180 cage and stainless steel balls



Available
from stock