



PA cage,
stainless steel or
glass balls



PA cage,
stainless steel balls
hexagon nut socket



Order key

Type

Material

BB-6204EC44.5-B180-10-ES

Ball bearing type

End cap

Outer Ø (d2)

Race material

Cage material

Ball material

- Fast and easy retrofits in many standard tubes
- Good axial stability

Cage material

10 = PA

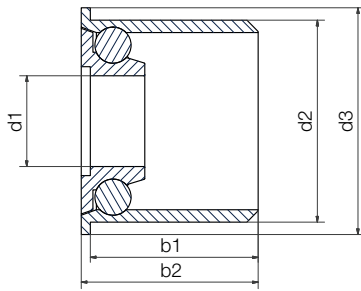
Options:

Ball material

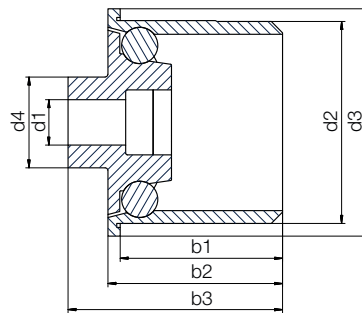
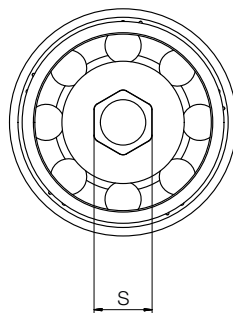
ES = Stainless steel

GL = Glass

Example "6204EC"



Example "6204ECM8"



Technical data

Installation size	Radial load capacity		Max. speed [rpm]	Weight	
	stat. [N]	dyn. [N]		PA/ES [g]	PA/GL [g]
6204	245	294	1,800	41.66	29.85
6204	245	294	1,800	48.44	–

Dimensions [mm]

Inner Ø d1	Outer Ø d2 d3		Width d4	S	Cage/ball material combination	Part No.			
	b1	b2					b3	PA/ES	PA/GL
20	44.5	50	–	–	● ●	BB-6204EC44.5-B180-10- <input type="checkbox"/>			
10	44.5	50	20	35.8	38.5	47.3	M8	● –	BB-6204ECM8-B180-10-ES



Order example:

BB-6204EC44.5-B180-10-ES = End cap with race material xirodur® B180, with PA cage and stainless steel balls



Available
from stock