

xiros® spherical radial deep groove ball bearings | Product range

xiros®

Races made from xirodur® B180

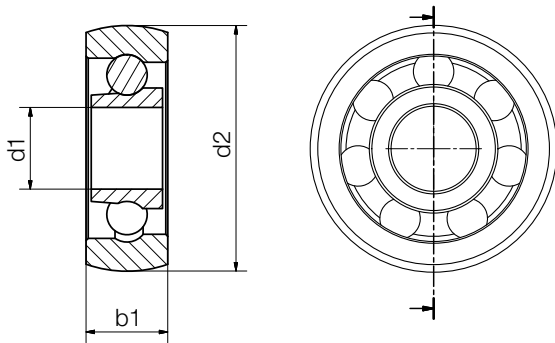


xirodur® B180 races
PA cage,
stainless steel balls



xirodur® B180 races
PA cage,
glass balls

- Use in skewed/curved/twisted profiles
- Prevents edge stress



Order key

Type Material

BB-608SO-B180-10-ES

Ball bearings	Dimensions according to DIN 625-1	Spherical outer Ø	Race material	Cage material	Ball material
---------------	-----------------------------------	-------------------	---------------	---------------	---------------

Race material

B180 = xirodur® B180

Cage material

10 = PA

Options:

Ball material

ES = Stainless steel

GL = Glass

Technical data

Installation size	Radial load capacity		Max. speed [rpm]	Weight	
	stat. [N]	dyn. [N]		PA/ES [g]	PA/GL [g]
608	80	94	2,200	4.63	3.34
6000	110	130	1,900	7.86	5.70
6001	138	147	1,750	13.51	11.10

Dimensions [mm]

Inner Ø d1	Outer Ø d2	Width b1	Width b2	Cage/ball material combination		Part No.
				PA/ES	PA/GL	
8	24.00	8	7	●	●	BB-608SO-B180-10- <input type="text"/>
10	28.96	10	8	●	●	BB-6000SO-B180-10- <input type="text"/>
12	35.56	12	8	●	●	BB-6001SO-B180-10- <input type="text"/>



Order example:

BB-608SO-B180-10-ES = Ball bearing with spherical outer diameter, race material xirodur® B180, PA cage and stainless steel balls



Available
from stock