

# xiros® thrust washers | Product range

xiros®

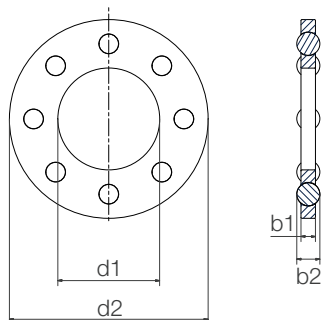
Races made from xirodur® B180



Standard type with stainless steel or glass balls



Slim Line design with stainless steel or glass balls



## Order key

Type	Material
------	----------

**BB-6004TW-B180-ES-SL**

Ball bearings	Dimensions according to DIN 625-1	Axial thrust washer	Race material	Ball material	Slim Line
---------------	-----------------------------------	---------------------	---------------	---------------	-----------

### Options

#### Ball material

**ES** = Stainless steel

**GL** = Glass

#### Suffix

**Blank** = Standard

**SL** = Slim Line

## Technical data (related to metallic shafts)

Installation size	Slim Line	Recommended load capacity		Max. speed [rpm]	Weight	
		stat. [N]	dyn. [N]		B180/ES [g]	B180/GL [g]
626	–	341	425	2,000	1.35	0.81
608	–	482	600	1,700	2.25	1.17
6000	–	610	782	1,500	3.04	1.50
6000	●	405	500	1,500	2.09	1.20
6004	–	975	1,215	700	6.87	4.41
6006	–	925	1,540	600	5.51	3.39
6006	●	520	680	600	4.23	2.98

## Dimensions [mm]

Inner ∅ d1	Outer ∅ d2	Width		Race/ball material combination		Part No.
		b1	b2	B180/ES	B180/GL	
6.2	18.8	2.0	3.18	●	●	BB-626TW-B180-□
8.2	21.8	2.0	3.97	●	●	BB-608TW-B180-□
10.2	25.8	2.0	4.76	●	●	BB-6000TW-B180-□
10.2	25.8	2.0	3.97	●	●	BB-6000TW-B180-□-SL
21.0	41.0	3.0	4.76	●	●	BB-6004TW-B180-□
29.9	45.5	2.5	4.76	●	●	BB-6006TW-B180-□
29.9	45.5	2.5	3.97	●	●	BB-6006TW-B180-□-SL



### Order example:

**BB-6000TW-B180-ES-SL** = Thrust washer with race material xirodur® B180, stainless steel balls, Slim Line version



Available from stock