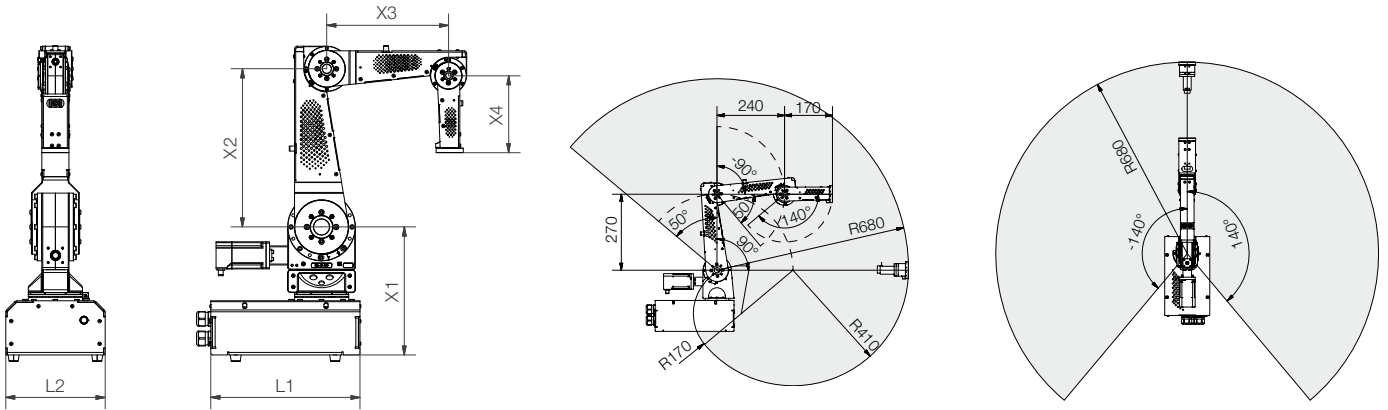


Robot arm - small option



- Payload up to 10N
 - Cycle times > 6s
 - Reach up to 680mm
 - Integrated gearbox
 - With motor encoder
 - Available as 4 DOF or 5 DOF¹⁶⁸⁾
 - Optimised bearing of the single axes for minimal backlash
 - Black standard colour, individual colour and logo possible
 - Available as a plug-and-play solution with igus® Robot Control
 - More configuration options online
- www.igus.eu/DC



Technical data - small option (RL-DC)

		4 DOF ¹⁶⁸⁾	5 DOF ¹⁶⁸⁾
Part No.		RL-D-RBT-3322-BF	RL-D-RBT-3322S-BF
Operating voltage	[VDC]	24	24
Nominal power (at full load)	[W]	120	120
Weight (without power supply unit, ext. display)	[kg]	11	12
Precision (WDH precision)	[mm]	±0.5	±0.5
Max. speed (TCP)	[mm/s]	100	100
Reach	[mm]	600	680
Payload	[N]	10	5
With integrated control system			
Part No.		RL-DCi-4S-M-B	RL-DCi-5S-M-B

Articulated arm dimensions [mm]

Part No.	L1	L2	X1	X2	X3	X4
RL-D-RBT-3322-BF	280	160	217.5	270	240	170
RL-D-RBT-3322-BF-AE	280	160	227.5	270	240	170
RL-D-RBT-3322S-BF	330	220	273.5	350	270	170
RL-D-RBT-3322S-BF-AE	330	220	283.5	350	270	170

¹⁶⁸⁾ DOF: degree of freedom

For more information, see the technical data sheet ► www.igus.eu/DC

Robot arm - large option



Large option



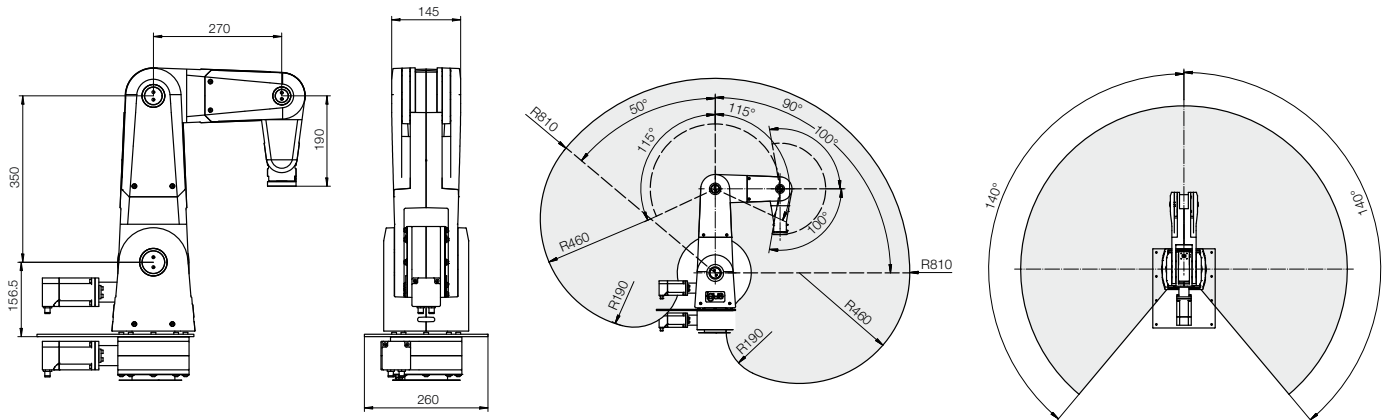
With integrated control system



Test the software free of charge

- Payload up to 30N
- Cycle times > 6s
- Up to 790mm of reach
- Integrated gearbox
- With motor encoder
- Available as 4 DOF or 5 DOF¹⁶⁸⁾
- Optimised bearing of the single axes for minimal backlash
- Black standard colour, individual colour and logo possible
- Available as a plug-and-play solution with igus® Robot Control
- More configuration options online

► www.igus.eu/DP



Technical data - large option (RL-DP)

		4 DOF ¹⁶⁸⁾	5 DOF ¹⁶⁸⁾
Part No.		RL-DP-4	RL-DP-5
Operating voltage	[VDC]	24	24
Nominal power (at full load)	[W]	120	120
Weight (without power supply unit, ext. display)	[kg]	22	23
Precision (WDH precision)	[mm]	±0.5	±0.5
Max. speed (TCP)	[mm/s]	100	100
Reach	[mm]	790	790
Payload	[N]	30	30
With integrated control system			
With top hat (DIN) rail		RL-DP-4-24-0002-00-0	RL-DP-5-24-0002-00-0
With control cabinet		RL-DP-4-24-0004-00-0	RL-DP-5-24-0004-00-0



Small and large options:
Black standard colour, individual colour and logo possible



robolink® RL-DP | Robot arm

Splash-proof 5-axis robot robolink® RL-DP-SW



- Splash-proof thanks to protection class IP 44
- Tribologically optimised robot joints
- Joining links made of stainless steel
- Software available free of charge
- igus® Robot Control ► **Page 718**



Test the software free of charge

Technical data

		4 DOF ¹⁶⁸⁾	5 DOF ¹⁶⁸⁾
Part No.		RL-DP-4-SW-24	RL-DP-5-SW-24
Payload	[N]	20	20
Speed	[Picks/min]	7	7
Workspace	[mm]	790	790
Nominal reach	[mm]	450	450
Weight	[kg]	23.6	23.6
Payload	[kg]	2	3
Precision (repeatability)	[mm]	±0.5	±0.5
Max. speed (TCP)	[m/s]	0.2	0.2
Ambient temperature	[°C]	0 to +50	0 to +50
With top hat (DIN) rail		RL-DP-4-SW-24-0002-00-0	RL-DP-5-SW-24-0002-00-0
With control cabinet		RL-DP-4-SW-24-0004-00-0	RL-DP-5-SW-24-0004-00-0



For more information, see the technical data sheet

► www.igus.eu/DP

¹⁶⁸⁾ DOF: degree of freedom