

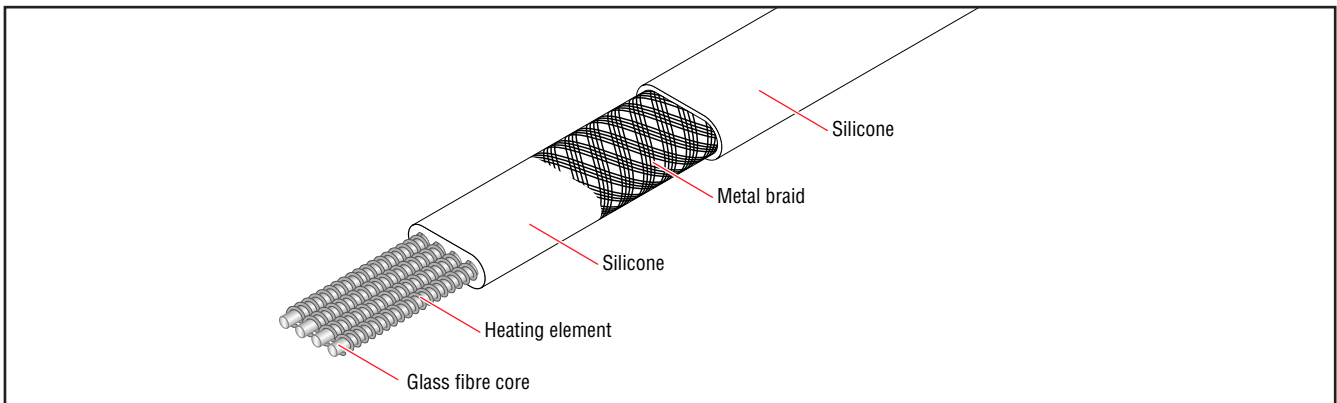
## Silicone insulated heating tape

Isopad IT-SiS10 is a preterminated, flexible, and waterproof silicone insulated heating tape of the highest quality. It is manufactured according to the latest safety-technology regulations. Four silicone

insulated heating conductors are embedded in a protective overbraid made of cupronickel. The temperature depends on the power and application. Please make sure

that the heating tape does not exceed the maximum withstand temperature.

The outer jacket is smooth and may be washed down for cleaning.



### Area Specifications

Area classification	Nonhazardous, ordinary area
Ingress protection	IP67
Electrical protection class	Class I
Maximum withstand temperature (power off)	200°C
Storage temperature	-20°C to +55°C
Minimum installation temperature	-20°C

### Standard Manufacturing Sizes

Width	11 mm ±10%
Thickness	5 mm ±10%

### Heater Construction

Type	Resistance heating cable
Material	Various alloys
Material of insulation	Silicone
Material of outer sheath	Silicone

### Lead Connection

Connection length	1.5 m
Cross section	3 x 1.5 mm <sup>2</sup>
Maximum operating temperature	200°C
Insulation material	Silicone

### Technical Data

Frequency	50-60 Hz
Nominal operating voltage	230 Vac

**Technical Data**

Power per meter	100 W/m
Maximum operating temperature	200°C
Minimum bend radius	15 mm
Minimum spacing	5 mm

**Ordering Information**

	Part number	Length <sup>(1)</sup> (m)	Nominal Power <sup>(2)</sup> (W)	Nominal Voltage (Vac)
<b>Outer lengths and power specifications, etc., available upon request</b>	115096-000	1.0	100	230
	328552-000	1.5	150	230
	162874-000	2.0	200	230
	021826-000	3.0	300	230
	910894-000	5.0	500	230
	612242-000	7.0	700	230
	716918-000	10.0	1000	230

<sup>(1)</sup> Tolerances <2000 mm ± (1% + 50 mm)  
>2000 mm ± (2% + 100 mm)

<sup>(2)</sup> Tolerances ±10%