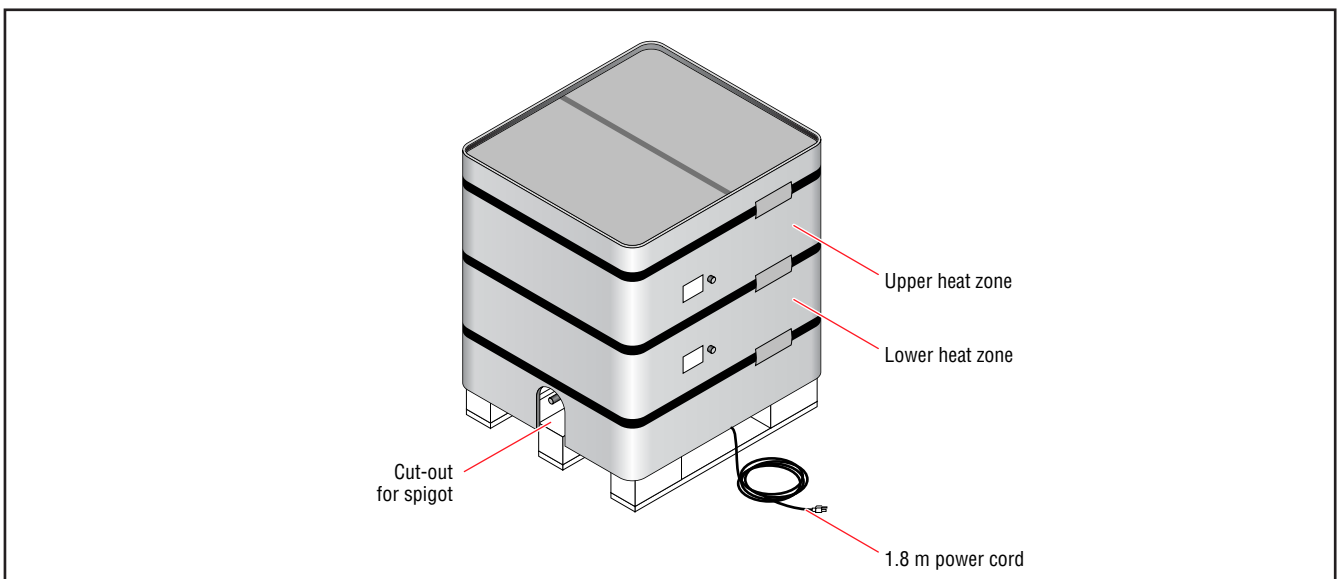


Soft jacket IBC heater

Isopad IIBC-G soft jacket heater fits several IBC and tote tank sizes with adjustable nylon straps and buckles. Controls temperature with adjustable thermostats. Protects contents and tote tank surface from heat damage with manual reset highlimit safety thermostats.

Designed for caged, plastic, or metal tote tanks/IBCs. The wrap-around blanket design allows you to heat a tote tank/IBC externally without changing the IBC or tote tank. Fits containers with width from 1016 x 1016 mm to 1219 x 1219 mm. Does not contaminate or scorch your product. Fitted using adjustable

nylon straps with buckles. An optional top cover is available to reduce heat loss and accelerate heat-up. Built-in adjustable thermostats allow you to control the temperature, and two separate heat zones allow you to adjust heater output when content levels are lower.



Area Specifications

Area classification	Nonhazardous, ordinary area
Ingress protection	IP51
Electrical protection class	Class I
Voltage	240 Vac power cord 1.8 m
Power output	2880 W
Temperature range	10 to 71°C, built-in thermal cut-out set at 91°C for each heat zone

Heater Construction

Material	Silicone-impregnated cloth facing and liner
Insulation	6 mm fibreglass insulation

Ordering Information

Part number	Product description	Height (mm)	Minimum tank perimeter (mm)	Maximum tank perimeter (mm)	Wattage at 240 Vac (W)	Weight (kg)
1235-99840013	IIBC-G/914MM/240V/2880W	914	4064	4877	2880	15
1235-99840014	IIBC-G/1067MM/240V/2880W	1067	4064	4877	2880	18

Ordering Information

1235-99840015	IIBC-G/1220MM/240V/2880W	1220	4064	4877	2880	21
---------------	--------------------------	------	------	------	------	----

Accessories

Part number	Description
1235-99840016	IIBC-G/Insulated top cover
